



Stacking Manifolds

D03

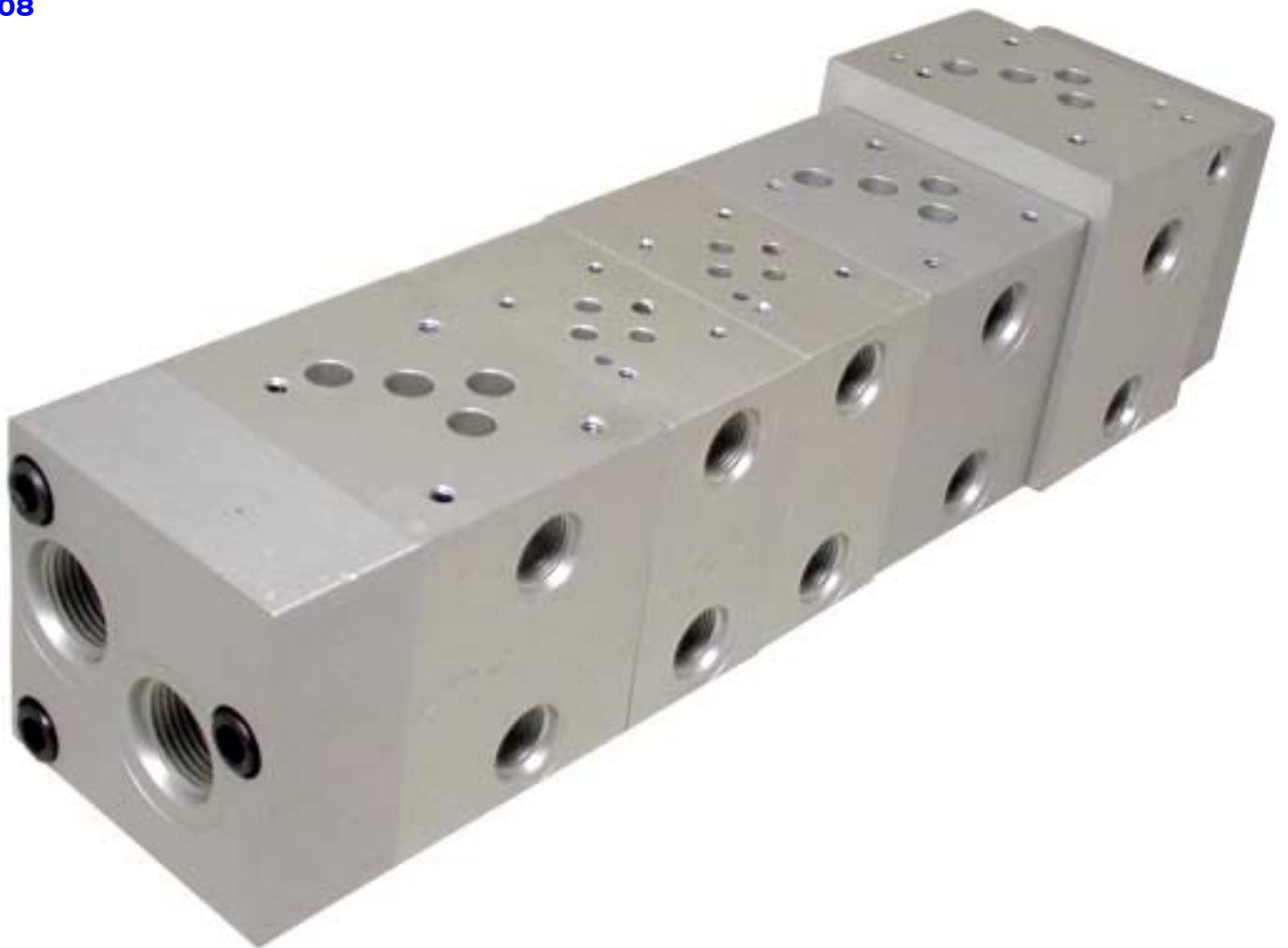
D05

D05H

D05HE

D07

D08

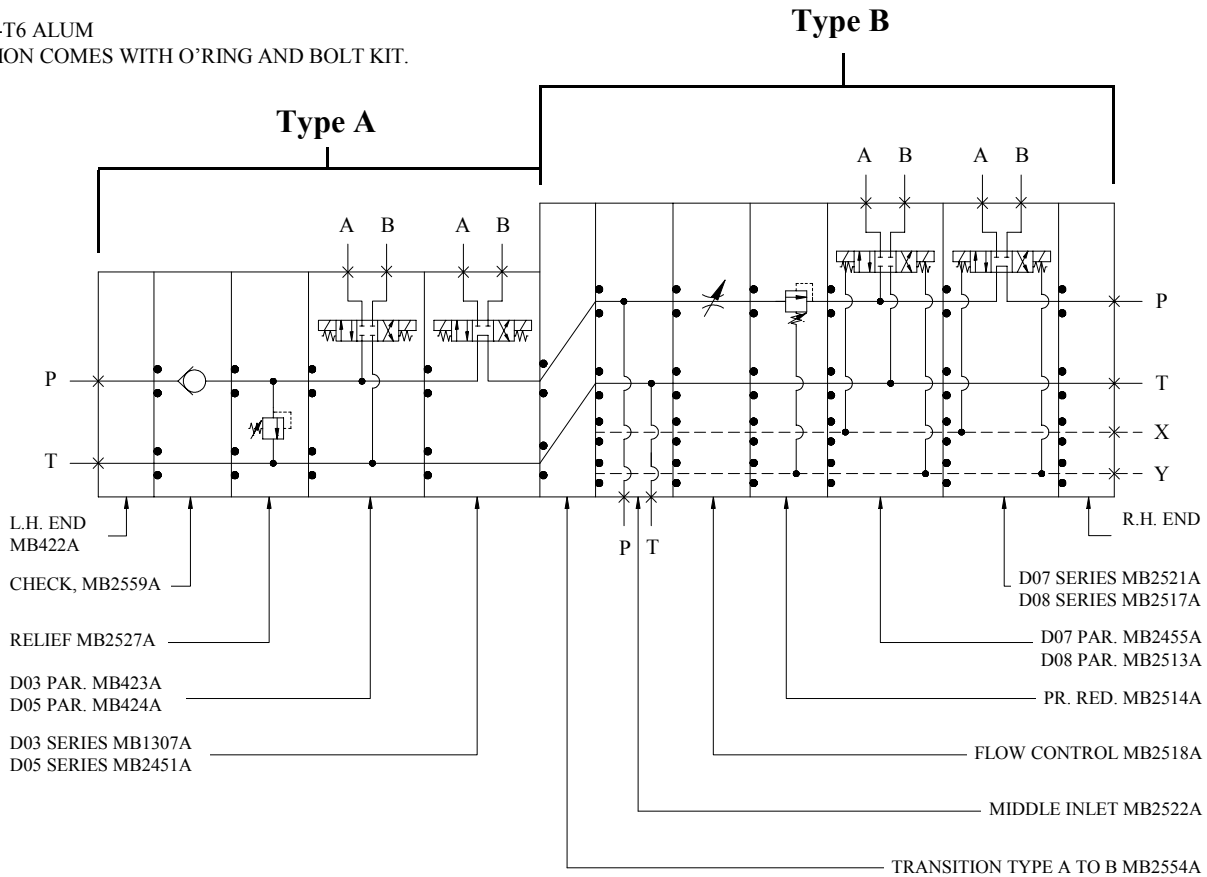


Stacking Manifold

Types A & B

MATL: 6061-T6 ALUM

EACH SECTION COMES WITH O-RING AND BOLT KIT.



Type A

- D03, D05, D05H AND D05HE

Part No.	Function	Length
MB423A	D03 PARALLEL	2.00
MB424A	D05 PARALLEL	3.00
MB425A	D05H PARALLEL	3.00
MB2448A	D05HE PARALLEL	3.00
MB1307A	D03 SERIES	2.00
MB2451A	D05 SERIES	3.00
MB2454A	D05H SERIES	3.00
MB2515A	D05HE SERIES	3.00
MB422A	LEFTHAND END	1.50
MB421A	RIGHTHAND END	1.50
MB2516A	MIDDLE INLET	2.00
MB2527A	RELIEF	1.50
MB2530A	PRESSURE REDUCING	2.50
MB2532A	FLOW CONTROL	2.50
MB2559A	CHECK	2.00

Type B

- D07 AND D08

Part No.	Function	Length
MB2455A	D07 PARALLEL	4.00
MB2513A	D08 PARALLEL	5.00
MB2521A	D07 SERIES	4.00
MB2517A	D08 SERIES	5.00
MB2524A	LEFTHAND END	2.00
MB2529A	RIGHTHAND END	2.00
MB2522A	MIDDLE INLET	3.00
MB2514A	RELIEF	2.00
MB2528A	PRESSURE REDUCING	3.00
MB2518A	FLOW CONTROL	3.00
MB2554A	TRANS; SERIES A & B	3.00
MB2560A	CHECK	2.50