



Single Flange

SAE Code 61

SAE Code 62



Single Cavity SAE 4-Bolt Flange Sandwich Code 61

MATL: STEEL

CARTRIDGES: COMPACT, STANDARD, PARKER, SUN AND
VICKERS CAVITY (OR EQUIVALENT)
'1' IS NOSE OF CARTRIDGE

- G (GAGE): #4 SAE ORB

- COME WITH O' RING AND ONE 'D' PORT PLUGGED

- NORMALLY USED FOR RELIEF,
ACCUMULATOR DRAIN AND FLOW CONTROL.

- FOR DIMENSION OF FLANGE PORTS AND PRESSURE
RATING SEE SPECIFICATIONS ON PAGE 41-12.

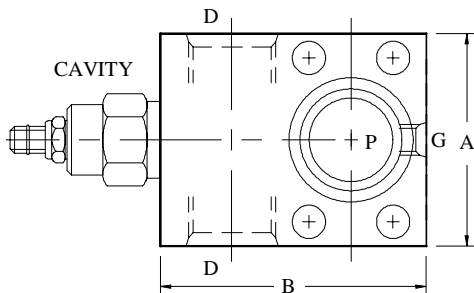
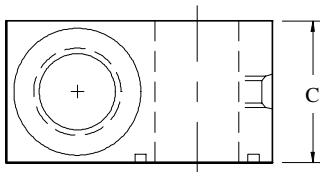
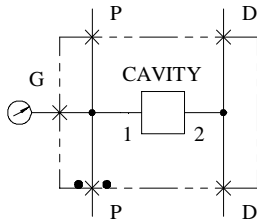
- CONSULT CARTRIDGE MANUFACTURER FOR
RATED PRESSURE, FLOW RATE AND CAVITY DETAIL.

- COMPACT CP12-2 CAVITY IS EQUIVALENT TO
HYDRAFORCE VC12-2 CAVITY

- PARKER C12-2 CAVITY IS EQUIVALENT TO
OILGEAR HS800-2 CAVITY

'C-' Standard Cavity For:

Compact
Danfoss
Delta
Hydraforce
Vickers
Parker
Sterling



Part No.	P Flange Code 61	Cavity	D SAE ORB	A	B	C
MB1477S	3/4	STANDARD C-10-2	#12 (1 1/16-12)	2.75	3.00	1.50
MB1476S	3/4	SUN T-10A	#12 (1 1/16-12)	2.75	3.00	1.50
MB1901S	3/4	SUN T-13A	#12 (1 1/16-12)	2.75	3.00	1.50
MB1837S	1	STANDARD C-10-2	#12 (1 1/16-12)	3.00	3.25	1.50
MB1902S	1	VICKERS C-12-2	#16 (1 5/16-12)	3.13	3.50	2.00
MB1906S	1	COMPACT CP12-2	#16 (1 5/16-12)	3.13	3.50	2.00
MB1910S	1	PARKER C12-2	#16 (1 5/16-12)	3.13	3.50	2.00
MB1031S	1	STANDARD C-16-2	#16 (1 5/16-12)	3.25	4.00	2.00
MB1795S	1	SUN T-13A	#8 (3/4-16)	2.75	3.00	1.25
MB1843S	1	SUN T-13A	#12 (1 1/16-12)	3.00	3.25	1.50
MB1829S	1	SUN T-5A	#12 (1 1/16-12)	3.00	3.25	1.50
MB1030S	1	SUN T-3A	#12 (1 1/16-12)	2.75	3.50	1.50
MB1838S	1 1/4	STANDARD C-10-2	#12 (1 1/16-12)	3.25	3.50	1.50
MB1903S	1 1/4	VICKERS C-12-2	#16 (1 5/16-12)	3.25	4.00	2.00
MB1907S	1 1/4	COMPACT CP12-2	#16 (1 5/16-12)	3.25	4.00	2.00
MB1911S	1 1/4	PARKER C12-2	#16 (1 5/16-12)	3.25	4.00	2.00
MB1033S	1 1/4	STANDARD C-16-2	#16 (1 5/16-12)	3.25	4.00	2.00
MB1914S	1 1/4	SUN T-13A	#12 (1 1/16-12)	3.00	3.50	1.50
MB1830S	1 1/4	SUN T-5A	#16 (1 5/16-12)	3.00	3.81	2.00
MB1032S	1 1/4	SUN T-3A	#16 (1 5/16-12)	3.00	3.75	2.00
MB1839S	1 1/2	STANDARD C-10-2	#12 (1 1/16-12)	3.75	4.00	1.50
MB1904S	1 1/2	VICKERS C-12-2	#16 (1 5/16-12)	4.00	4.13	2.00
MB1908S	1 1/2	COMPACT CP12-2	#16 (1 5/16-12)	4.00	4.13	2.00
MB1912S	1 1/2	PARKER C12-2	#16 (1 5/16-12)	4.00	4.13	2.00
MB1915S	1 1/2	STANDARD C-16-2	#16 (1 5/16-12)	4.00	4.13	2.00
MB1831S	1 1/2	SUN T-5A	#16 (1 5/16-12)	4.00	4.13	2.00
MB1916S	1 1/2	SUN T-3A	#16 (1 5/16-12)	4.00	4.13	2.00
MB1034S	1 1/2	SUN T-16A	#20 (1 5/8-12)	4.00	4.63	2.50
MB1840S	2	STANDARD C-10-2	#12 (1 1/16-12)	4.00	4.25	1.50
MB1905S	2	VICKERS C-12-2	#16 (1 5/16-12)	4.00	4.50	2.00
MB1909S	2	COMPACT CP12-2	#16 (1 5/16-12)	4.00	4.50	2.00
MB1913S	2	PARKER C12-2	#16 (1 5/16-12)	4.00	4.50	2.00
MB1524S	2	STANDARD C-16-2	#16 (1 1/16-12)	4.00	4.63	2.00
MB1832S	2	SUN T-5A	#16 (1 1/16-12)	4.00	4.50	2.00
MB1035S	2	SUN T-16A	#20 (1 5/8-12)	4.00	5.25	2.50

Single Cavity SAE 4-Bolt Flange Sandwich Code 62

MATL: STEEL

CARTRIDGES: COMPACT, STANDARD, PARKER, SUN AND
VICKERS CAVITY (OR EQUIVALENT)
'1' IS NOSE OF CARTRIDGE

- G (GAGE): #4 SAE ORB

- COME WITH O' RING AND ONE 'D' PORT PLUGGED

- NORMALLY USED FOR RELIEF,
ACCUMULATOR DRAIN AND FLOW CONTROL.

- FOR DIMENSION OF FLANGE PORTS AND PRESSURE
RATING SEE SPECIFICATIONS ON PAGE 41-12.

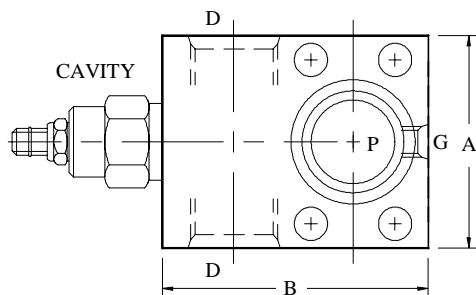
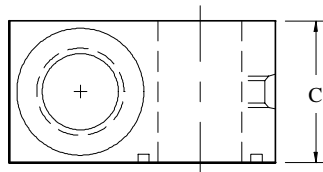
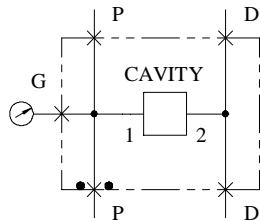
- CONSULT CARTRIDGE MANUFACTURER FOR
RATED PRESSURE, FLOW RATE AND CAVITY DETAIL.

- COMPACT CP12-2 CAVITY IS EQUIVALENT TO
HYDRAFORCE VC12-2 CAVITY

- PARKER C12-2 CAVITY IS EQUIVALENT TO
OILGEAR HS800-2 CAVITY

'C-' Standard Cavity For:

Compact
Danfoss
Delta
Hydraforce
Vickers
Parker
Sterling



Part No.	P Flange Code 62	Cavity	D SAE ORB	A	B	C
MB1479S	3/4	STANDARD C-10-2	#12 (1 1/16-12)	3.00	3.19	1.50
MB1478S	3/4	SUN T-10A	#12 (1 1/16-12)	3.00	3.19	1.50
MB1917S	3/4	SUN T-13A	#12 (1 1/16-12)	3.00	3.19	1.50
MB1841S	1	STANDARD C-10-2	#12 (1 1/16-12)	3.00	3.44	1.50
MB1920S	1	VICKERS C-12-2	#16 (1 5/16-12)	3.50	3.75	2.00
MB1924S	1	COMPACT CP12-2	#16 (1 5/16-12)	3.50	3.75	2.00
MB1928S	1	PARKER C12-2	#16 (1 5/16-12)	3.50	3.75	2.00
MB1037S	1	STANDARD C-16-2	#16 (1 5/16-12)	3.25	4.00	2.00
MB1791S	1	SUN T-13A	#8 (3/4-16)	3.00	3.25	1.25
MB1918S	1	SUN T-13A	#12 (1 1/16-12)	3.00	3.44	1.50
MB1833S	1	SUN T-5A	#12 (1 1/16-12)	3.00	3.50	1.50
MB1036S	1	SUN T-3A	#12 (1 1/16-12)	3.00	3.63	1.50
MB1932S	1 1/4	STANDARD C-10-2	#12 (1 1/16-12)	3.50	3.69	1.50
MB1921S	1 1/4	VICKERS C-12-2	#16 (1 5/16-12)	3.50	4.00	2.00
MB1925S	1 1/4	COMPACT CP12-2	#16 (1 5/16-12)	3.50	4.00	2.00
MB1929S	1 1/4	PARKER C12-2	#16 (1 5/16-12)	3.50	4.00	2.00
MB1039S	1 1/4	STANDARD C-16-2	#16 (1 5/16-12)	3.50	4.00	2.00
MB1919S	1 1/4	SUN T-13A	#12 (1 1/16-12)	3.50	3.69	1.50
MB1834S	1 1/4	SUN T-5A	#16 (1 5/16-12)	3.50	4.00	2.00
MB1038S	1 1/4	SUN T-3A	#16 (1 5/16-12)	3.50	4.00	2.00
MB1933S	1 1/2	STANDARD C-10-2	#12 (1 1/16-12)	4.25	4.00	1.50
MB1922S	1 1/2	VICKERS C-12-2	#16 (1 5/16-12)	4.25	4.50	2.00
MB1926S	1 1/2	COMPACT CP12-2	#16 (1 5/16-12)	4.25	4.50	2.00
MB1930S	1 1/2	PARKER C12-2	#16 (1 5/16-12)	4.25	4.50	2.00
MB1844S	1 1/2	STANDARD C-16-2	#16 (1 5/16-12)	4.25	4.50	2.00
MB1835S	1 1/2	SUN T-5A	#16 (1 5/16-12)	4.25	4.50	2.00
MB1934S	1 1/2	SUN T-3A	#16 (1 5/16-12)	4.25	4.50	2.00
MB1040S	1 1/2	SUN T-16A	#20 (1 5/8-12)	4.25	5.00	2.50
MB1842S	2	STANDARD C-10-2	#12 (1 1/16-12)	5.00	4.63	1.50
MB1923S	2	VICKERS C-12-2	#16 (1 5/16-12)	5.00	4.88	2.00
MB1927S	2	COMPACT CP12-2	#16 (1 5/16-12)	5.00	4.88	2.00
MB1931S	2	PARKER C12-2	#16 (1 5/16-12)	5.00	4.88	2.00
MB1845S	2	STANDARD C-16-2	#16 (1 1/16-12)	5.00	5.00	2.00
MB1836S	2	SUN T-5A	#16 (1 1/16-12)	5.00	5.00	2.00
MB1041S	2	SUN T-16A	#20 (1 5/8-12)	5.00	5.25	2.50

Two Port Cavity with Seal Plate

SAE 4-Bolt Flange In-line Mount

MATL: STEEL

CARTRIDGES: SUN CAVITY (OR EQUIVALENT)
'1' IS NOSE OF CARTIDGE

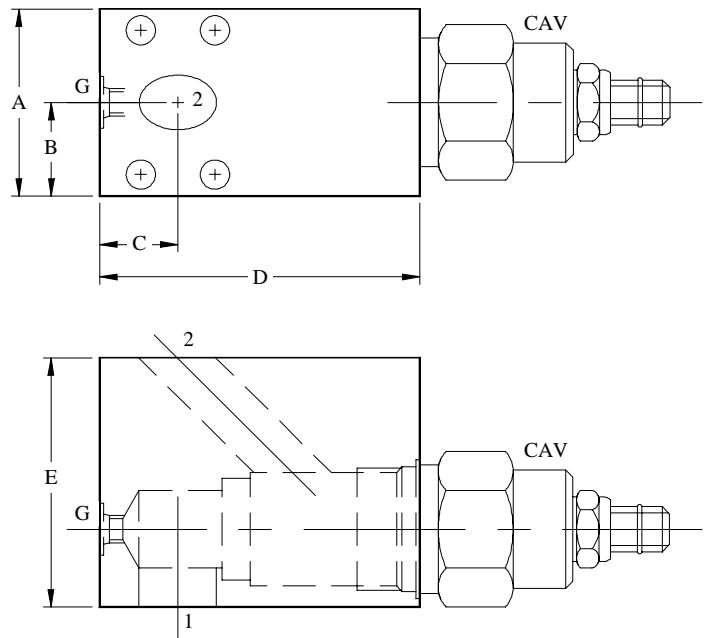
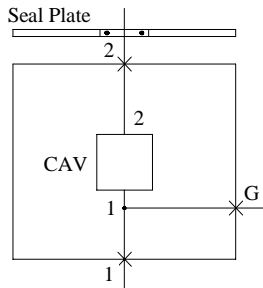
G (GAGE): #4 SAE ORB

COMPLETE WITH O'RING AND SEAL PLATE

SEAL PLATE TO BE PLACED ON FACE '1' OR FACE '2' DEPENDING ON FLOW DIRECTION.

FOR DIMENSIONS ON FLANGE PORTS AND PRESSURE RATING SEE PAGE 41-12.

CONSULT CARTRIDGE MANUFACTURER FOR RATED PRESSURE, FLOW RATE AND CAVITY DETAIL.



Part No.	CAV Cavity	Ports 1 & 2 SAE 4-BOLT	A	B	C	D	E	Seal Plate Part No.
MB2537S	SUN T-13A	3/4 C61	2.50	1.25	0.94	2.75	2.00	MB2563-2
MB2538S	SUN T-5A	3/4 C61	2.50	1.25	0.88	3.00	2.25	MB2563-2
MB2539S	SUN T-16A	1 C61	2.75	1.38	1.06	4.13	3.00	MB2563-3
MB2540S	SUN T-18A	1 1/4 C61	3.00	1.50	1.25	5.00	4.00	MB2563-4
MB2541S	STANDARD C-10-2	3/4 C61	2.50	1.25	0.88	2.63	2.00	MB2563-2
MB2542S	STANDARD C-16-2	1 C61	2.75	1.38	1.13	3.50	3.00	MB2563-3
MB2543S	STANDARD C-20-2	1 1/4 C61	3.00	1.50	1.25	4.25	3.50	MB2563-4

Three-Port Cavity with Seal Plate

SAE 4-Bolt Flange In-line Mount

MATL: STEEL

CARTRIDGES: SUN CAVITY (OR EQUIVALENT)
‘1’ IS NOSE OF CARTIDGE

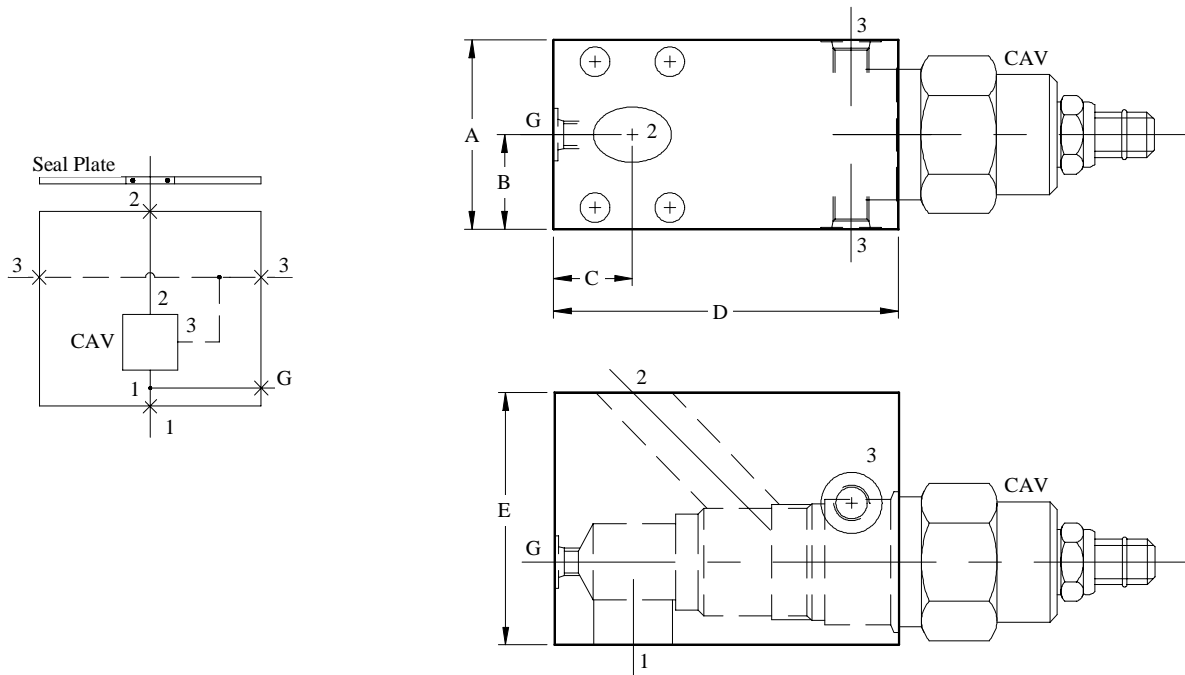
G (GAGE): #4 SAE ORB

COMPLETE WITH O’RING AND SEAL PLATE

SEAL PLATE TO BE PLACED ON FACE ‘1’ OR FACE ‘2’ DEPENDING ON FLOW DIRECTION.

FOR DIMENSIONS ON FLANGE PORTS AND PRESSURE RATING SEE PAGE 41-12.

CONSULT CARTRIDGE MANUFACTURER FOR RATED PRESSURE, FLOW RATE AND CAVITY DETAIL.



Part No.	CAV Cavity	Port 1 SAE 4-BOLT	Port 2 SAE 4-BOLT	Port 3 SAE ORB	A	B	C	D	E	Seal Plate Part No.
MB2255S	SUN T-11A	1/2 C61	1/2 C61	# 6 (9/16-18)	2.00	1.00	0.75	3.13	2.00	MB2563-1
MB2256S	SUN T-2A	3/4 C61	3/4 C61	# 6 (9/16-18)	2.50	1.25	0.88	3.38	2.50	MB2563-2
MB2257S	SUN T-17A	1 C61	1 C61	# 6 (9/16-18)	2.75	1.38	1.13	4.38	3.00	MB2563-3
MB2258S	SUN T-19A	1 1/4 C61	1 1/4 C61	# 6 (9/16-18)	3.00	1.50	1.25	5.75	4.00	MB2563-4
MB2535S	STANDARD C-10-3	1/2 C61	1/2 C61	# 6 (9/16-18)	2.00	1.00	0.69	2.88	1.75	MB2563-1
MB2536S	STANDARD C-16-3	3/4 C61	3/4 C61	# 6 (9/16-18)	2.50	1.25	1.00	4.38	3.00	MB2563-2

Single Cavity

SAE 4-Bolt Flange Mount

MATL: STEEL

CARTRIDGES: SUN CAVITY (OR EQUIVALENT)
'1' IS NOSE OF CARTRIDGE

THIS BODY IS TYPICALLY USED FOR COUNTER BALANCE, PILOT CHECK, VENTABLE RELIEF AND SEQUENCE.

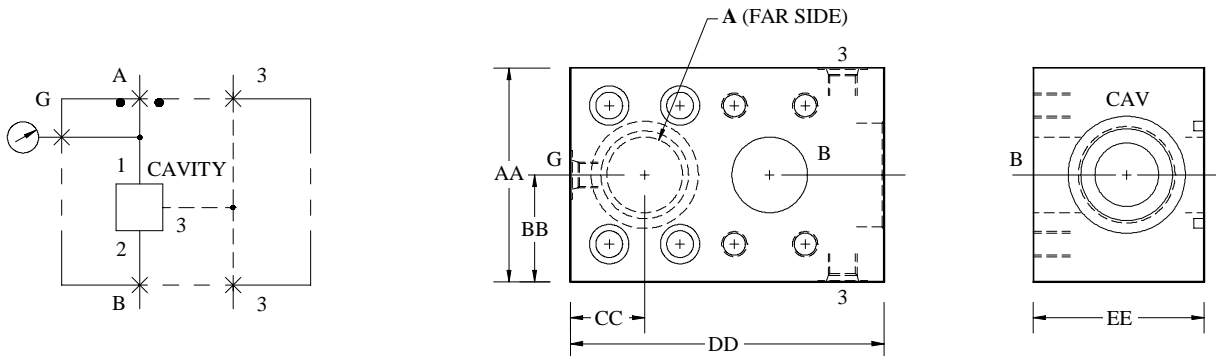
G (GAGE): #4 SAE ORB

PORT '3': #6 SAE ORB

COMPLETE WITH O' RING, BOLT KIT AND ONE 'PILOT/ DRAIN' PORT PLUGGED.

FOR DIMENSION OF FLANGE PORTS SEE SPECIFICATIONS ON PAGE 41-12.
FLANGE MOUNTING HOLES ARE IN INCHES.

CONSULT CARTRIDGE MANUFACTURER FOR RATED PRESSURE, FLOWRATE AND CAVITY DETAIL.



Part No.	'A' O' Ring	'B' Companion	CAV Cavity	AA	BB	CC	DD	EE
MB2139S	3/4 C61	3/4 C61	SUN T-17A	3.00	1.50	0.88	4.25	2.50
MB2140S	1 C61	1 C61	SUN T-17A	3.00	1.50	1.00	4.50	2.50
MB2141S	1 1/4 C61	1 1/4 C61	SUN T-17A	3.50	1.75	1.13	4.88	2.50
MB2142S	3/4 C62	3/4 C62	SUN T-17A	3.00	1.50	1.00	4.44	2.50
MB2143S	1 C62	1 C62	SUN T-17A	3.50	1.75	1.13	4.88	2.50
MB2144S	1 1/4 C62	1 1/4 C62	SUN T-17A	4.00	2.00	1.25	5.13	2.50
MB2145S	1 1/4 C61	1 1/4 C61	SUN T-19A	3.50	1.75	1.13	5.56	3.00
MB2146S	1 1/2 C61	1 1/2 C61	SUN T-19A	4.00	2.00	1.31	6.06	3.00
MB2147S	1 1/4 C62	1 1/4 C62	SUN T-19A	4.00	2.00	1.25	5.81	3.00
MB2148S	1 1/2 C62	1 1/2 C62	SUN T-19A	4.50	2.25	1.44	6.38	3.00

Cylinder Mount – Directional Valve

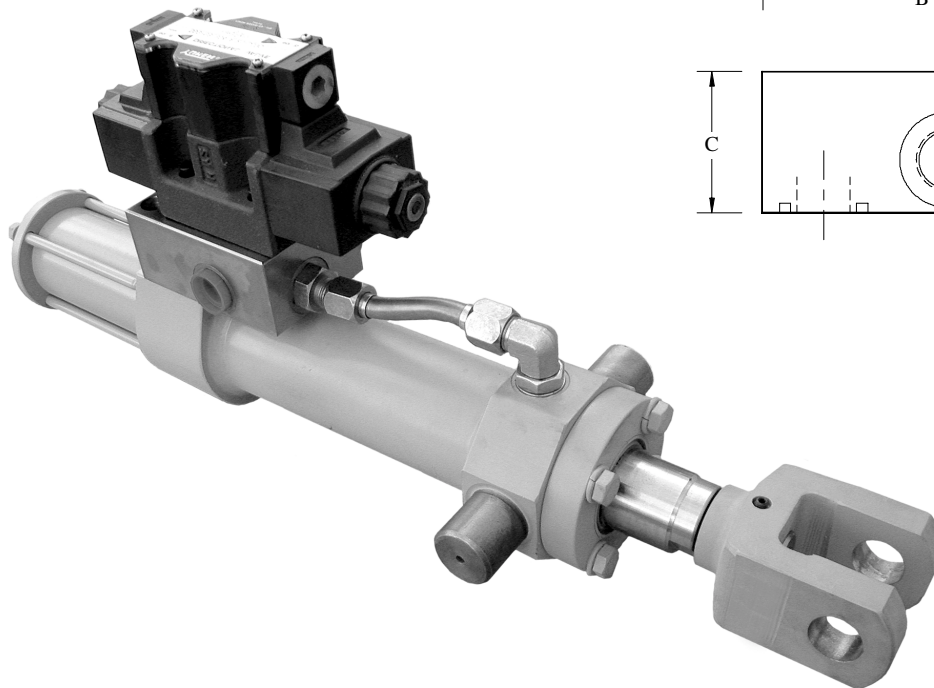
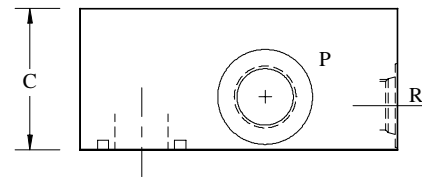
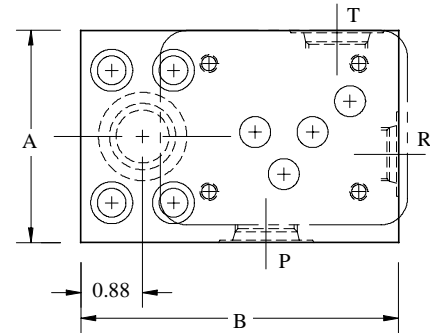
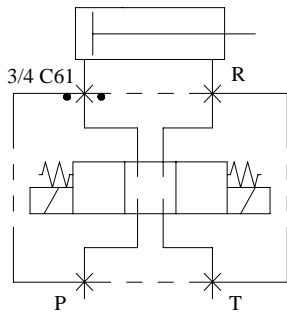
3/4 Code 61 SAE 4-Bolt Flange Mount

MATL: STEEL

COMPLETE WITH O’RING AND BOLT KIT

FOR DIMENSIONS OF FLANGE PORTS AND PRESSURE RATING SEE PAGE 41-12.

CONSULT CARTRIDGE AND VALVE MANUFACTURER FOR RATED PRESSURE, FLOWRATE AND CAVITY DETAIL.



Part No.	Directional Valve	Rod Port SAE ORB	P & T Ports SAE ORB	A	B	C
MB2402S	D05	#8 (3/4-16)	#10 (7/8-14)	3.00	4.50	2.00
MB2405S	MOOG 62-100	#8 (3/4-16)	#12 (1 1/16-12)	3.50	4.00	2.00
MB2403S	MOOG 62-300	#12 (1 1/16-12)	#16 (1 5/16-12)	3.63	4.00	2.00
MB2406S	MOOG 78	#16 (1 5/16-12)	#20 (1 5/8-12)	3.50	5.75	2.50
MB2404S	ATCHLEY 242	#16 (1 5/16-12)	#20 (1 5/8-12)	3.75	4.00	2.50

Cylinder Mount – Single Counter Balance

SAE Code 61 4-Bolt Flange Mount

MATL: STEEL

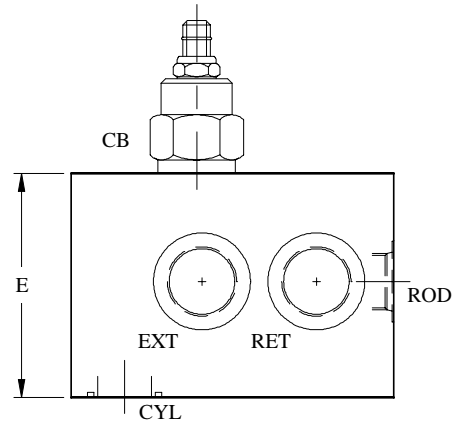
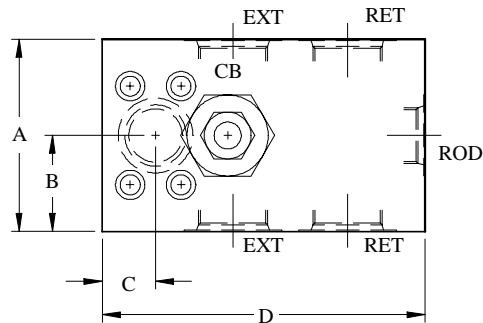
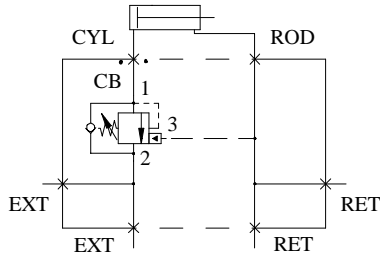
CARTRIDGES: SUN CAVITY (OR EQUIVALENT), '1' IS NOSE OF CARTRIDGE

COMPLETE WITH O' RING AND BOLT KIT.

FOR DIMENSION OF FLANGE PORTS AND PRESSURE RATING SEE PAGE 41-12.

CONSULT CARTRIDGE MANUFACTURER FOR RATED PRESSURE, FLOW RATE AND CAVITY DETAIL.

REPLACE OLD MODEL, SAME FUNCTION BUT DIFFERENT PORT AND CARTRIDGE ORIENTATION. FOR DETAILS SEE PREVIOUS CATALOG.



New Model Part No.	Old Model Part No.	EXT & RET SAE ORB	ROD SAE ORB	CYL Port SAE 4-Bolt	CB Cavity	A	B	C	D	E
MB2381S	MB1012S	#8 (3/4-16)	#8 (3/4-16)	1/2 C61	SUN T-11A	2.00	1.00	0.72	4.00	3.00
MB2382S	MB1013S	#12 (1 1/16-12)	#8 (3/4-16)	3/4 C61	SUN T-2A	3.00	1.50	0.88	4.88	3.00
MB2383S	MB1014S	#16 (1 5/16-12)	#12 (1 1/16-12)	1 C61	SUN T-17A	3.50	1.75	1.06	6.00	4.00
MB2384S	MB1015S	#20 (1 5/8-12)	#16 (1 5/16-12)	1 1/4 C61	SUN T-19A	4.50	2.25	1.25	7.25	5.25

Cylinder Mount – Dual Counter Balance

SAE Code 61 4-Bolt Flange Mount

MATL: STEEL

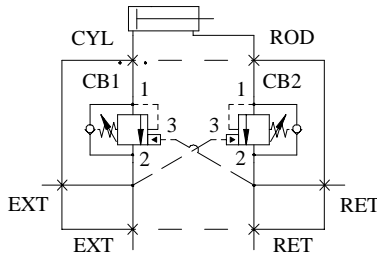
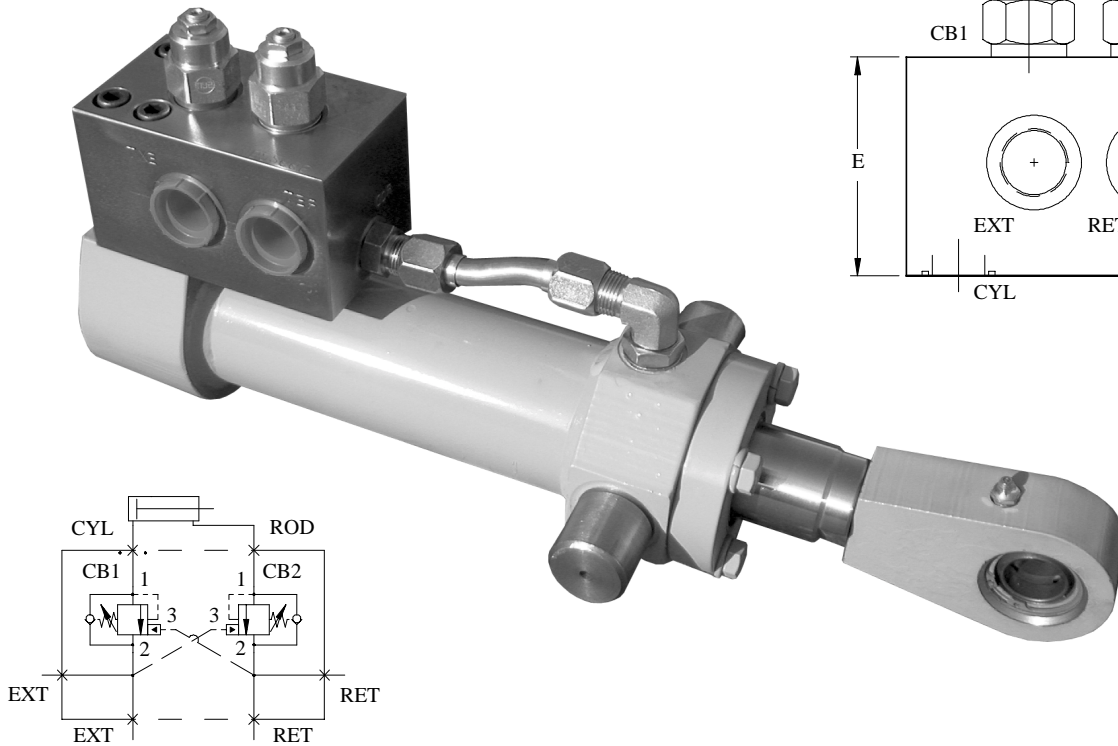
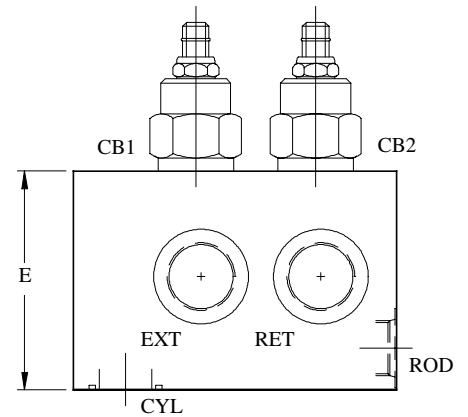
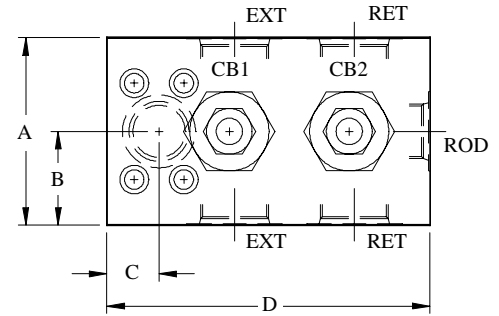
CARTRIDGES: SUN CAVITY (OR EQUIVALENT), '1' IS NOSE OF CARTRIDGE

COMPLETE WITH O' RING AND BOLT KIT.

FOR DIMENSION OF FLANGE PORTS AND PRESSURE RATING SEE PAGE 41-12.

CONSULT CARTRIDGE MANUFACTURER FOR RATED PRESSURE, FLOW RATE AND CAVITY DETAIL.

REPLACE OLD MODEL, SAME FUNCTION BUT DIFFERENT PORT AND CARTRIDGE ORIENTATION. FOR DETAILS SEE PREVIOUS CATALOG.



New Model Part No.	Old Model Part No.	EXT & RET SAE ORB	ROD SAE ORB	CYL Port SAE 4-Bolt	CB1, CB2 Cavity	A	B	C	D	E
MB2265S	MB1016S	#8 (3/4-16)	#8 (3/4-16)	1/2 C61	SUN T-11A	2.00	1.00	0.72	4.13	3.00
MB2266S	MB1017S	#12 (1 1/16-12)	#8 (3/4-16)	3/4 C61	SUN T-2A	3.00	1.50	0.88	5.00	3.00
MB2267S	MB1018S	#16 (1 5/16-12)	#12 (1 1/16-12)	1 C61	SUN T-17A	3.50	1.75	1.06	6.38	4.00
MB2268S	MB1019S	#20 (1 5/8-12)	#16 (1 5/16-12)	1 1/4 C61	SUN T-19A	4.50	2.25	1.25	7.75	5.25

Tank Mounted Manifold

SAE Code 61 4-Bolt Flange Mount

MATL: STEEL

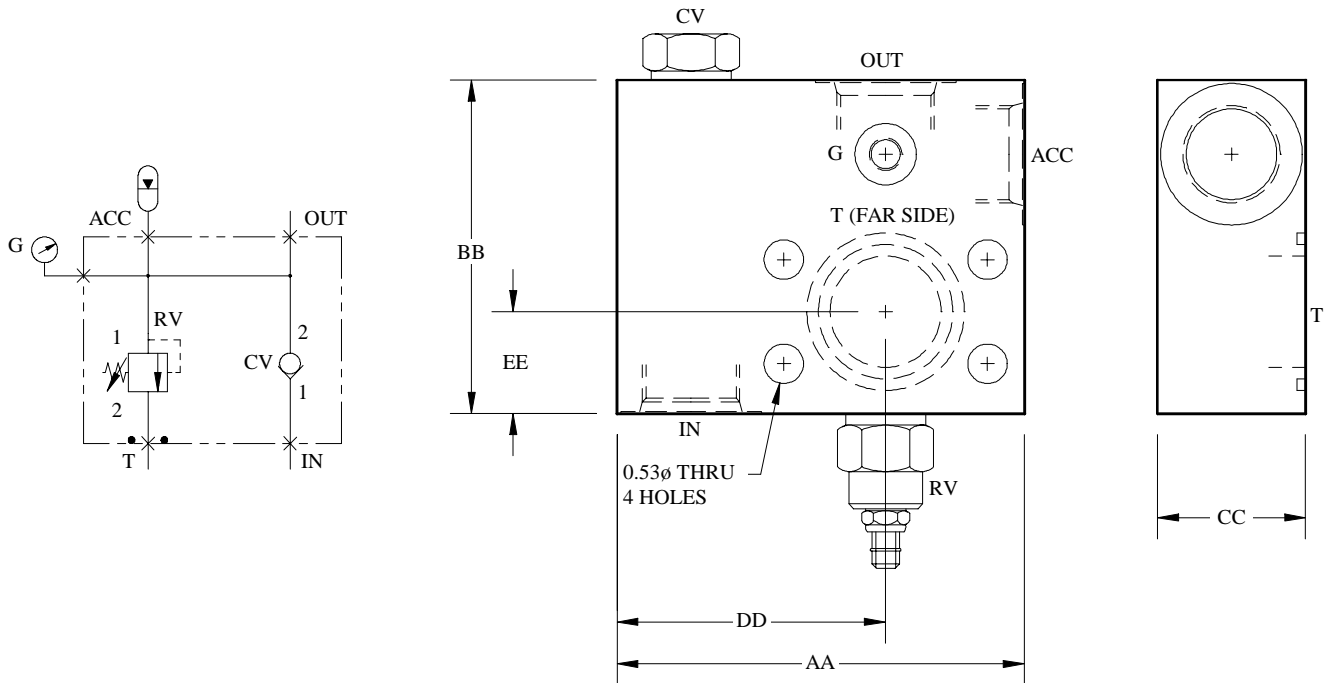
CARTRIGES: SUN AND STANDARD CAVITY (OR EQUIVALENT)
'1' IS NOSE OF CARTRIDGE

G (GAGE): #4 SAE ORB

COMPLETE WITH O' RING AND BOLT KIT.

FOR DIMENSIONS OF FLANGE PORTS SEE PAGE 41-12.

CONSULT CARTRIDGE MANUFACTURER FOR RATED PRESSURE, FLOW RATE AND CAVITY DETAIL.



Part No.	CV Check	Check Flow	RV Relief	Relief Flow	T SAE 4-BOLT	IN, OUT, ACC	AA	BB	CC	DD	EE
MB1106S	SUN T-5A	40 GPM	SUN T-10A	25 GPM	1 1/2 C61	#16 (1 5/16-12)	5.50	4.50	2.00	3.63	1.38
MB1107S	STD C-16-2	40 GPM	STD C-10-2	20 GPM	1 1/2 C61	#16 (1 5/16-12)	5.50	4.50	2.00	3.63	1.38
MB1108S	SUN T-16A	80 GPM	SUN T-3A	50 GPM	2 C61	#20 (1 5/8-12)	6.00	5.00	2.50	4.00	1.56
MB1109S	STD C-20-2	80 GPM	STD C-16-2	40 GPM	2 C61	#20 (1 5/8-12)	6.00	5.00	2.50	4.00	1.56

Tank Mounted Manifold

SAE Code 61 4-Bolt Flange Mount With Accumulator Dump

MATL: STEEL

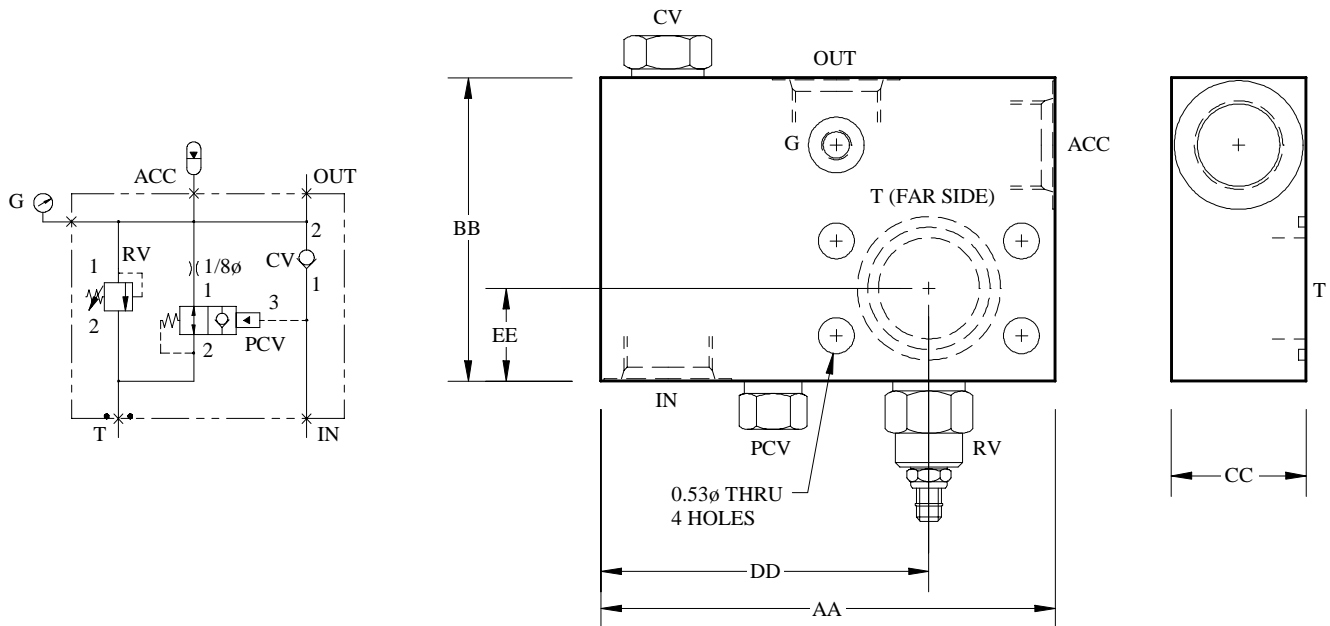
CARTRIGES: SUN AND STANDARD CAVITY (OR EQUIVALENT)
‘1’ IS NOSE OF CARTRIDGE

G (GAGE): #4 SAE ORB

COMPLETE WITH O’ RING AND BOLT KIT.

FOR DIMENSIONS OF FLANGE PORTS SEE PAGE 41-12.

CONSULT CARTRIDGE MANUFACTURER FOR RATED PRESSURE, FLOW RATE AND CAVITY DETAIL.



Part No.	CV Check	Check Flow	RV Relief	Relief Flow	PCV Pilot Check Cavity	T SAE 4-BOLT	IN, OUT, ACC SAE ORB	AA	BB	CC	DD	EE
MB1110S	SUN T-5A	40 GPM	SUN T-10A	25 GPM	SUN T-11A	1 1/2 C61	#16 (1 5/16-12)	6.75	4.50	2.00	4.88	1.38
MB1111S	STD C-16-2	40 GPM	STD C-10-2	20 GPM	STD C-10-3	1 1/2 C61	#16 (1 5/16-12)	6.75	4.50	2.00	4.88	1.38
MB1112S	SUN T-16A	80 GPM	SUN T-3A	50 GPM	SUN T-11A	2 C61	#20 (1 5/8-12)	7.50	5.00	2.50	5.50	1.56
MB1113S	STD C-20-2	80 GPM	STD C-16-2	40 GPM	STD C-10-3	2 C61	#20 (1 5/8-12)	7.50	5.00	2.50	5.50	1.56

Pump Manifold

SAE 4-Bolt Flange Mount

MATL: STEEL

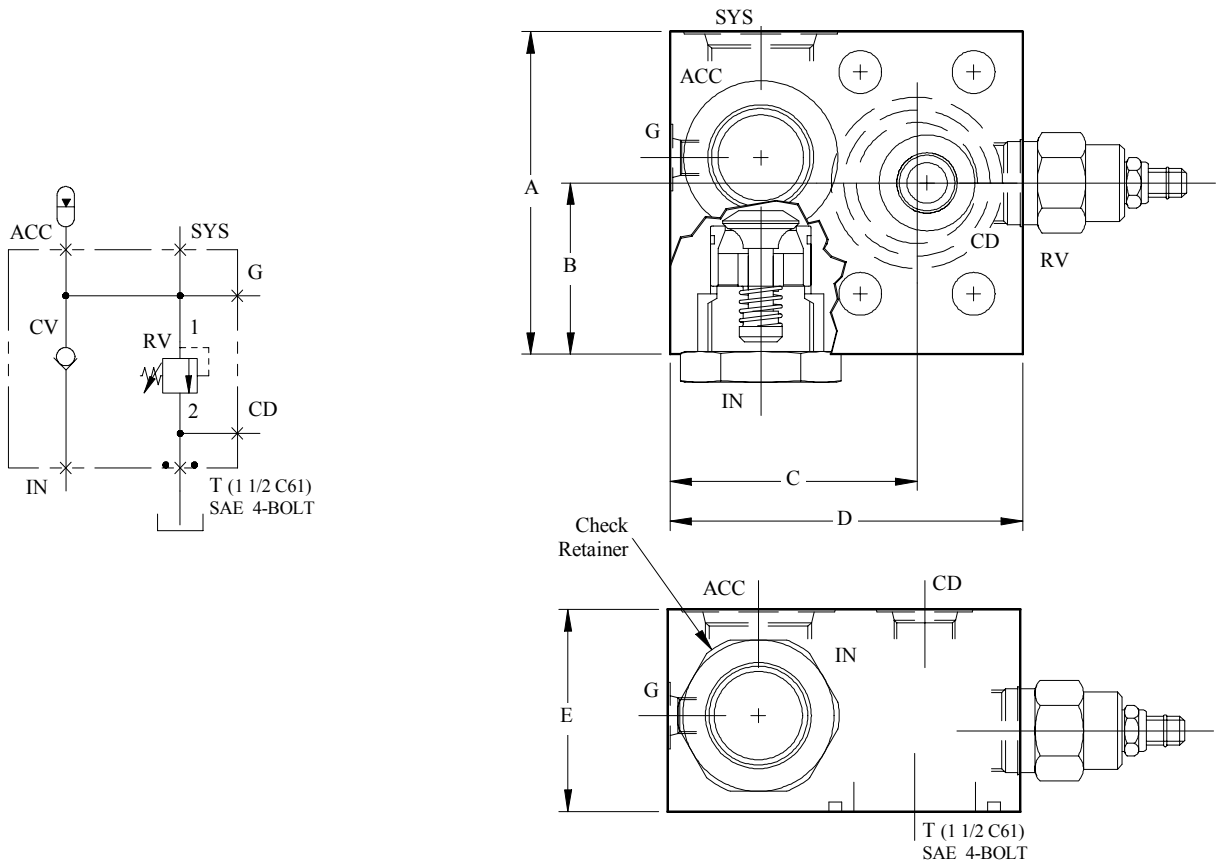
CARTRIDGES: COMPACT, PARKER, STANDARD, SUN AND VICKERS CAVITY (OR EQUIVALENT)
1 IS NOSE OF CARTRIDGE.

GAGE PORTS: #4 SAE ORB

COMPLETE WITH O-RING, BOLT KIT, AND SEALUM CHECK.

FOR DIMENSIONS OF FLANGES AND PRESSURE RATING SEE PAGE 41-12.

CONSULT CARTRIDGE MANUFACTURER FOR RATED PRESSURE, FLOW RATE AND CAVITY DETAIL.



Part No.	Sealum Check	RV Relief	In, Out Sys.	CD	A	B	C	D	E
MB2259S	1 1/4	SUN T-3A	#16 (1 5/16-12)	#8 (3/4-16)	4.00	2.13	3.06	4.38	2.50
MB2260S	1 1/4	PARKER C12-2	#16 (1 5/16-12)	#8 (3/4-16)	4.00	2.13	3.06	4.38	2.50
MB2261S	1 1/4	COMPACT CP12-2	#16 (1 5/16-12)	#8 (3/4-16)	4.00	2.13	3.06	4.38	2.50
MB2262S	1 1/4	VICKERS C-12-2	#16 (1 5/16-12)	#8 (3/4-16)	4.00	2.13	3.06	4.38	2.50
MB2263S	1 1/2	SUN T-3A	#20 (1 5/8-12)	#8 (3/4-16)	4.50	2.63	3.19	4.50	2.50
MB2264S	1 1/2	STANDARD C-16-2	#20 (1 5/8-12)	#8 (3/4-16)	4.50	2.63	3.19	4.50	2.50