



## Single Cartridge

Compact

Danfoss

Delta

Hydraforce

Integrated Hydraulics

Parker

Sterling

Vickers

Waterman

Poppet Body - DIN 24342

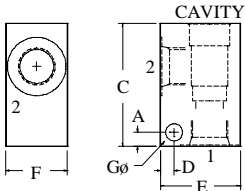


## Single Cartridge Body – SAE ORB Ports

### Two Port Bodies – SUN

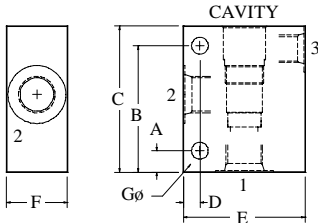
MATL: STEEL (5000 PSI)

THESE SINGLE CARTRIDGE BODIES ARE SIMILAR IN FUNCTION TO THE SUN BODIES, BUT MAY DIFFER IN DIMENSION.

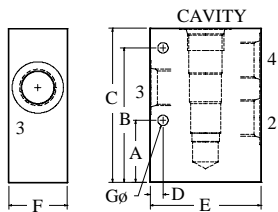


Part No.	Cavity	Ports SAE ORB	SUN No.	A	C	D	E	F	G
MB629S	SUN T-10A	#8 (3/4-16)	FAJ	0.28	2.50	0.28	1.63	1.25	0.34
MB630S	SUN T-13A	#8 (3/4-16)	GAJ	0.28	2.50	0.25	1.63	1.25	0.34
MB632S	SUN T-5A	#8 (3/4-16)	DAJ	0.38	2.63	0.38	2.00	1.50	0.41
MB631S	SUN T-3A	#12 (1 1/16-12)	CAL	0.38	3.00	0.38	2.00	1.50	0.41
MB569S	SUN T-16A	#16 (1 5/16-12)	IAM	1.00	4.00	0.50	3.00	2.00	0.41
MB633S	SUN T-18A	#20 (1 5/8-12)	LAN	0.94	4.50	0.63	3.50	2.50	0.41

### Three Port Bodies – SUN

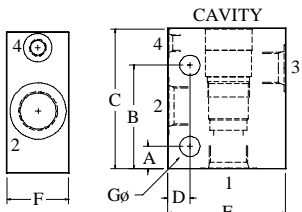


Part No.	Cavity	Ports 1 & 2 SAE ORB	Port 3 SAE ORB	SUN No.	A	B	C	D	E	F	G
MB493S	SUN T-11A	#8 (3/4-16)	#6 (9/16-18)	ECJ	0.44	2.56	3.00	0.38	2.50	1.25	0.34
MB483S	SUN T-2A	#12 (1 1/16-12)	#6 (9/16-18)	BCL	0.50	2.75	3.25	0.50	3.00	1.50	0.34
MB584S	SUN T-17A	#16 (1 5/16-12)	#6 (9/16-18)	HCM	0.75	3.50	4.00	0.75	3.50	2.50	0.41
MB634S	SUN T-19A	#20 (1 5/8-12)	#6 (9/16-18)	KCN	0.50	4.50	5.00	0.50	4.00	3.00	0.41

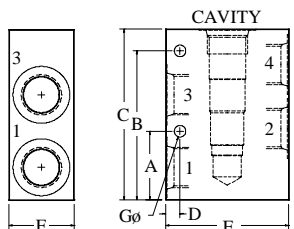


Part No.	Cavity	Ports 2 & 4 SAE ORB	Port 3 SAE ORB	SUN No.	A	B	C	D	E	F	G
MB636S	SUN T-31A	#8 (3/4-16)	#8 (3/4-16)	MMJ	1.50	3.63	4.44	0.38	2.50	1.25	0.34
MB637S	SUN T-32A	#12 (1 1/16-12)	#12 (1 1/16-12)	NML	1.94	4.19	5.00	0.50	3.00	1.50	0.34
MB639S	SUN T-33A	#16 (1 5/16-12)	#16 (1 5/16-12)	PMM	2.25	5.25	6.19	0.62	4.00	2.50	0.41
MB640S	SUN T-34A	#20 (1 5/8-12)	#20 (1 5/8-12)	QMN	2.44	6.44	7.50	0.75	5.00	3.00	0.41

### Four Port Bodies – SUN



Part No.	Cavity	Ports 1 & 2 SAE ORB	Port 3 SAE ORB	Port 4 SAE ORB	SUN No.	A	B	C	D	E	F	G
MB635S	T-21A	#8 (3/4-16)	#8 (3/4-16)	#6 (9/16-18)	MAJ	0.44	2.56	3.56	0.38	2.50	1.25	0.34
MB454S	T-22A	#12 (1 1/16-12)	#10 (7/8-14)	#6 (9/16-18)	NAL	0.50	2.75	3.75	0.50	3.00	1.50	0.41
MB638S	T-23A	#16 (1 5/16-12)	#12 (1 1/16-12)	#6 (9/16-18)	PAM	0.75	3.50	4.75	0.75	4.00	2.50	0.41
MB583S	T-24A	#16 (1 5/16-12)	#16 (1 5/16-12)	#6 (9/16-18)	QCM	0.50	4.50	6.00	0.50	4.00	3.00	0.41



Part No.	Cavity	Ports SAE ORB	SUN No.	A	B	C	D	E	F	G
MB2444S	SUN T-31A	#8 (3/4-16)	MNJ	1.50	3.63	4.44	0.38	2.50	1.25	0.34
MB2449S	SUN T-32A	#12 (1 1/16-12)	NNL	1.94	4.19	5.00	0.50	3.00	1.50	0.34
MB2452S	SUN T-33A	#16 (1 5/16-12)	PNM	2.25	5.25	6.19	0.63	4.00	2.50	0.41
MB2447S	SUN T-34A	#20 (1 5/8-12)	QNN	2.44	6.44	7.50	0.75	5.00	3.00	0.41

## Single Cartridge Body – SAE ORB Ports

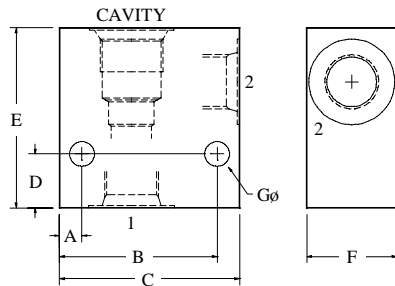
### Two Port Bodies

MATL: STEEL

PRESSURE: 5000 PSI

\*C\* - STANDARD CAVITY FOR:

COMPACT  
DANFOSS  
DELTA  
HYDRAFORCE  
INTERGRATED. HYD.  
PARKER  
STERLING  
VICKERS  
WATERMAN



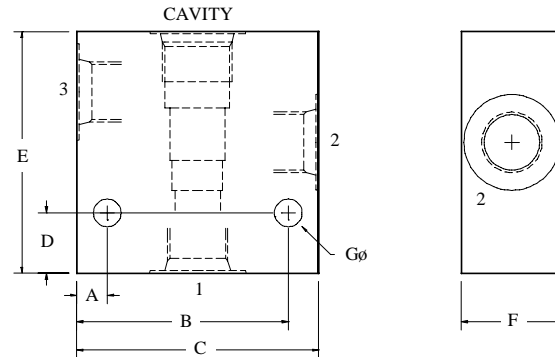
Part No.	Cavity	Ports	A	B	C	D	E	F	G
MB2328S	STANDARD C-8-2	#8 (3/4-16)	0.31	2.06	2.38	0.75	2.50	1.25	0.34
MB680S	STANDARD C-10-2	#8 (3/4-16)	0.31	2.19	2.50	0.75	2.50	1.25	0.34
MB2332S	STANDARD C-10-2	#12 (1 1/16-12)	0.31	2.44	2.75	0.75	2.50	1.50	0.34
MB686S	STANDARD C-16-2	#16 (1 5/16-12)	0.25	2.75	3.00	1.00	3.00	2.00	0.34
MB690S	STANDARD C-20-2	#20 (1 5/8-12)	0.31	3.19	3.50	1.00	3.50	2.50	0.41
MB900S	COMPACT CP12-2	#12 (1 1/16-12)	0.25	2.75	3.00	0.75	3.00	1.50	0.34
MB2388S	DANFOSS FC-10	#16 (1 5/16-12)	0.31	2.44	2.75	0.75	3.50	2.00	0.34
MB2395S	DANFOSS FC-76	#16 (1 5/16-12)	0.31	2.56	2.88	0.75	3.00	2.00	0.34
MB2392S	DANFOSS FC-153	#24 (1 7/8-12)	0.38	3.38	3.75	1.25	4.50	2.50	0.41
MB2397S	DANFOSS FC-178A	#24 (1 7/8-12)	0.38	3.38	3.75	1.00	4.00	2.50	0.41
MB2391S	DELTA 40200028	#16 (1 5/16-12)	0.31	2.69	3.00	0.75	3.13	2.00	0.34
MB900S	DELTA 40200032	#12 (1 1/16-12)	0.25	2.75	3.00	0.75	3.00	1.50	0.34
MB900S	HYDRAFORCE VC12-2	#12 (1 1/16-12)	0.25	2.75	3.00	0.75	3.00	1.50	0.34
MB2395S	INTEGRATED A878	#16 (1 5/16-12)	0.31	2.56	2.88	0.75	3.00	2.00	0.34
MB2388S	INTEGRATED A881	#16 (1 5/16-12)	0.31	2.44	2.75	0.75	3.50	2.00	0.34
MB2408S	INTEGRATED A890	#6 (9/16-18)	0.31	1.69	2.00	0.50	2.88	1.25	0.34
MB2413S	INTEGRATED A892	#8 (3/4-16)	0.31	2.19	2.50	0.63	2.75	1.25	0.34
MB2392S	INTEGRATED A1126	#24 (1 7/8-12)	0.31	3.44	3.75	1.25	4.50	2.50	0.41
MB2416S	INTEGRATED A2791	#12 (1 1/16-12)	0.31	2.44	2.75	0.75	3.50	2.00	0.34
MB2389S	INTEGRATED A3377	#12 (1 1/16-12)	0.31	2.44	2.75	0.75	2.50	1.50	0.34
MB2418S	INTEGRATED A3973	#8 (3/4-16)	0.31	2.06	2.38	0.63	2.50	1.25	0.34
MB2331S	INTEGRATED A6701	#8 (3/4-16)	0.31	2.06	2.38	0.75	2.50	1.25	0.34
MB2421S	INTEGRATED A6835	#12 (1 1/16-12)	0.38	2.63	3.00	0.75	4.13	2.00	0.41
MB2438S	INTEGRATED A7447	#12 (1 1/16-12)	0.31	2.44	2.75	0.63	3.00	2.00	0.34
MB2435S	INTEGRATED CVA-20-01-0	#8 (3/4-16)	0.31	2.19	2.50	0.50	2.25	1.25	0.34
MB2331S	PARKER C09-2	#8 (3/4-16)	0.31	2.06	2.38	0.75	2.50	1.25	0.34
MB2333S	PARKER C12-2	#12 (1 1/16-12)	0.31	2.44	2.75	0.75	3.00	1.50	0.34
MB2391S	STERLING 2B	#16 (1 5/16-12)	0.31	2.69	3.00	0.75	3.13	2.00	0.34
MB2397S	STERLING 2K	#24 (1 7/8-12)	0.31	3.44	3.75	1.00	4.00	2.50	0.41
MB2394S	STERLING 2M	#16 (1 5/16-12)	0.31	2.69	3.00	0.88	3.00	2.00	0.34
MB2389S	STERLING 2R	#12 (1 1/16-12)	0.31	2.44	2.75	0.75	2.50	1.50	0.34
MB2331S	STERLING 2X	#8 (3/4-16)	0.31	2.06	2.38	0.75	2.50	1.25	0.34
MB683S	VICKERS C-12-2	#12 (1 1/16-12)	0.25	2.75	3.00	0.75	3.00	1.50	0.34
MB2331S	WATERMAN 12-2A	#8 (3/4-16)	0.31	2.06	2.38	0.75	2.50	1.25	0.34
MB2389S	WATERMAN 14-2	#12 (1 1/16-12)	0.31	2.44	2.75	0.75	2.50	1.50	0.34

## Single Cartridge Body – SAE ORB Ports

### Three Port Bodies

MATL: STEEL

PRESSURE: 5000 PSI

 'C' - STANDARD CAVITY FOR:  
**COMPACT  
 DANFOSS  
 DELTA  
 HYDRAFORCE,  
 INTEGRATED HYD.  
 PARKER  
 STERLING  
 VICKERS  
 WATERMAN**


Part No.	Cavity	Port 1	Port 2	Port 3	A	B	C	D	E	F	G
MB2390S	STANDARD C-8-3	#8 (3/4-16)	#8 (3/4-16)	#8 (3/4-16)	0.38	2.69	3.00	0.50	2.63	1.25	0.34
MB681S	STANDARD C-10-3	#8 (3/4-16)	#8 (3/4-16)	#8 (3/4-16)	0.38	2.63	3.00	0.75	3.00	1.25	0.34
MB682S	STANDARD C-10-3S	#8 (3/4-16)	#8 (3/4-16)	#6 (9/16-18)	0.38	2.13	2.50	0.75	3.00	1.25	0.34
MB687S	STANDARD C-16-3	#16 (1 5/8-12)	#16 (1 5/8-12)	#16 (1 5/8-12)	0.38	3.63	4.00	0.75	4.13	2.00	0.41
MB688S	STANDARD C-16-3S	#16 (1 5/8-12)	#16 (1 5/8-12)	#6 (9/16-18)	0.38	3.13	3.50	0.75	3.50	2.00	0.41
MB691S	STANDARD C-20-3	#20 (1 5/8-12)	#20 (1 5/8-12)	#20 (1 5/8-12)	0.38	3.63	4.00	0.75	5.50	2.50	0.41
MB692S	STANDARD C-20-3S	#20 (1 5/8-12)	#20 (1 5/8-12)	#6 (9/16-18)	0.38	3.63	4.00	0.75	4.50	2.50	0.41
MB2396S	COMPACT CP8-3L	#8 (3/4-16)	#8 (3/4-16)	#8 (3/4-16)	0.31	2.56	2.88	0.75	3.00	1.25	0.34
MB985S	COMPACT CP10-3L	#8 (3/4-16)	#8 (3/4-16)	#8 (3/4-16)	0.38	2.63	3.00	0.75	3.25	1.25	0.34
MB987S	COMPACT CP12-3	#12 (1 1/16-12)	#12 (1 1/16-12)	#12 (1 1/16-12)	0.38	3.13	3.50	0.75	4.00	2.00	0.41
MB986S	COMPACT CP12-3S	#12 (1 1/16-12)	#12 (1 1/16-12)	#6 (9/16-18)	0.38	2.63	3.00	0.75	3.50	2.00	0.41
MB1856S	COMPACT CP20-3S	#20 (1 5/8-12)	#20 (1 5/8-12)	#6 (9/16-18)	0.38	3.63	4.00	0.75	4.50	2.50	0.41
MB2412S	DANFOSS FC-13	#16 (1 5/8-12)	#16 (1 5/8-12)	#6 (9/16-8)	0.38	2.63	3.00	0.75	4.13	2.00	0.41
MB2424S	DANFOSS FC-60	#8 (3/4-16)	#8 (3/4-16)	#8 (3/4-16)	0.38	2.63	3.00	0.75	4.50	1.50	0.41
MB2409S	DANFOSS FC-109A	#6 (9/16-18)	#6 (9/16-18)	#6 (9/16-18)	0.31	1.69	2.00	0.50	2.63	1.00	0.34
MB2410S	DANFOSS FC-173	#16 (1 5/8-12)	#16 (1 5/8-12)	#6 (9/16-18)	0.38	2.75	3.13	1.00	4.00	2.00	0.41
MB2429S	DANFOSS FC-173A	#6 (9/16-18)	#16 (1 5/8-12)	#16 (1 5/8-12)	0.38	3.13	3.50	0.63	3.88	2.00	0.41
MB986S	DELTA 40200033	#12 (1 1/16-12)	#12 (1 1/16-12)	#6 (9/16-18)	0.38	2.63	3.00	0.75	3.50	2.00	0.41
MB2393S	DELTA 40200034	#12 (1 1/16-12)	#12 (1 1/16-12)	#12 (1 1/16-12)	0.38	2.88	3.25	0.75	4.00	2.00	0.41
MB2393S	HYDRAFORCE VC12-3	#12 (1 1/16-12)	#12 (1 1/16-12)	#12 (1 1/16-12)	0.38	2.88	3.25	0.75	4.00	2.00	0.41

**CONTINUED ON NEXT PAGE**

## Single Cartridge Body – SAE ORB Ports

 THREE PORT  
BODIES  
CONT'D

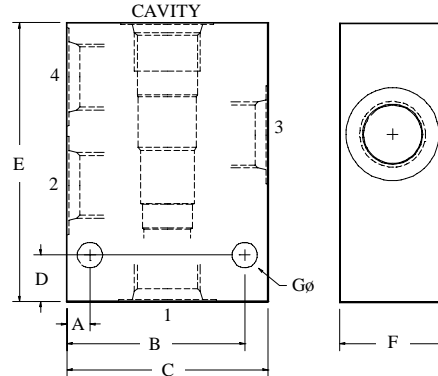
Part No.	Cavity	Port 1	Port 2	Port 3	A	B	C	D	E	F	G
MB2410S	INTEGRATED A877	#16 (1 5/16-12)	#16 (1 5/16-12)	#6 (9/16-18)	0.38	2.75	3.13	1.00	4.00	2.00	0.41
MB2412S	INTEGRATED A880	#16 (1 5/16-12)	#16 (1 5/16-12)	#6 (9/16-8)	0.38	2.63	3.00	0.75	4.13	2.00	0.41
MB2419S	INTEGRATED A893	#8 (3/4-16)	#8 (3/4-16)	#8 (3/4-16)	0.31	2.69	3.00	0.50	3.25	1.25	0.34
MB2422S	INTEGRATED A2976	#8 (3/4-16)	#8 (3/4-16)	#8 (3/4-16)	0.31	2.56	2.88	0.63	3.00	1.50	0.34
MB2439S	INTEGRATED A3146	#12 (1 1/16-12)	#12 (1 1/16-12)	#4 (7/16-20)	0.31	2.44	2.75	0.75	3.50	2.00	0.34
MB2414S	INTEGRATED A5572	#8 (3/4-16)	#8 (3/4-16)	#8 (3/4-16)	0.31	2.56	2.88	0.75	3.50	1.50	0.34
MB2425S	INTEGRATED A6610	#8 (3/4-16)	#8 (3/4-16)	#4 (7/16-20)	0.31	2.19	2.50	0.75	2.63	1.25	0.34
MB2436S	INTEGRATED A6935	#20 (1 5/8-12)	#20 (1 5/8-12)	#4 (7/16-20)	0.38	3.25	3.63	0.50	4.00	2.50	0.41
MB2440S	INTEGRATED A12336	#12 (1 1/16-12)	#12 (1 1/16-12)	#4 (7/16-20)	0.31	2.56	2.88	0.63	3.00	1.50	0.34
MB2426S	INTEGRATED CVA-22-06-0	#8 (3/4-16)	#8 (3/4-16)	#6 (9/16-18)	0.31	2.19	2.50	0.75	3.25	1.25	0.34
MB2431S	INTEGRATED CVA-27-04-0	#12 (1 1/16-12)	#12 (1 1/16-12)	#12 (1 1/16-12)	0.38	2.75	3.13	0.75	4.00	1.50	0.41
MB2426S	INTEGRATED CVB-22-06-0	#8 (3/4-16)	#8 (3/4-16)	#6 (9/16-18)	0.31	2.19	2.50	0.75	3.25	1.25	0.34
MB2442S	INTEGRATED CVB-42-04-0	#20 (1 5/8-12)	#24 (1 7/8-12)	#20 (1 5/8-12)	0.38	4.13	4.50	1.00	7.00	2.50	0.41
MB2387S	PARKER C12-3	#12 (1 1/16-12)	#12 (1 1/16-12)	#12 (1 1/16-12)	0.38	2.88	3.25	0.75	3.50	2.00	0.41
MB2427S	STERLING 3A	#16 (1 5/16-12)	#16 (1 5/16-12)	#16 (1 5/16-12)	0.38	3.13	3.50	0.75	4.25	2.00	0.41
MB2432S	STERLING 3C	#16 (1 5/16-12)	#16 (1 5/16-12)	#4 (7/16-20)	0.38	2.63	3.00	1.00	4.25	2.00	0.41
MB2414S	STERLING 3G	#8 (3/4-16)	#8 (3/4-16)	#8 (3/4-16)	0.31	2.56	2.88	0.75	3.50	1.50	0.34
MB2441S	STERLING 3M	#12 (1 1/16-12)	#12 (1 1/16-12)	#4 (7/16-20)	0.38	2.63	3.00	1.00	4.00	2.00	0.41
MB2417S	STERLING 3U	#16 (1 5/16-12)	#16 (1 5/16-12)	#16 (1 5/16-12)	0.38	3.00	3.38	1.00	4.50	2.00	0.41
MB2422S	STERLING 3X	#8 (3/4-16)	#8 (3/4-16)	#8 (3/4-16)	0.31	2.56	2.88	0.63	3.00	1.50	0.34
MB2428S	STERLING 53-1	#6 (9/16-18)	#6 (9/16-18)	#4 (7/16-20)	0.31	1.69	2.00	0.50	2.19	1.00	0.34
MB2433S	STERLING 68-1	#8 (3/4-16)	#8 (3/4-16)	#4 (7/16-20)	0.38	2.19	2.56	0.75	3.50	1.25	0.41
MB2437S	STERLING 78-1	#12 (1 1/16-12)	#12 (1 1/16-12)	#4 (7/16-20)	0.38	2.50	2.88	1.00	3.50	2.00	0.41
MB2442S	STERLING 91-1	#20 (1 5/8-12)	#24 (1 7/8-12)	#20 (1 5/8-12)	0.38	4.13	4.50	1.00	7.00	2.50	0.41
MB684S	VICKERS C-12-3	#12 (1 1/16-12)	#12 (1 1/16-12)	#12 (1 1/16-12)	0.38	3.13	3.50	0.75	4.00	2.00	0.41
MB685S	VICKERS C-12-3S	#12 (1 1/16-12)	#12 (1 1/16-12)	#6 (9/16-18)	0.38	2.63	3.00	0.75	3.50	2.00	0.41
MB2390S	WATERMAN 12-3	#8 (3/4-16)	#8 (3/4-16)	#8 (3/4-16)	0.38	2.69	3.00	0.50	2.63	1.25	0.34
MB2422S	WATERMAN 14-3	#8 (3/4-16)	#8 (3/4-16)	#8 (3/4-16)	0.31	2.56	2.88	0.63	3.00	1.50	0.34

## Single Cartridge Body – SAE ORB Ports

### Four Port Bodies

MATL: STEEL

PRESSURE: 5000 PSI

 'C' - STANDARD CAVITY FOR:  
 COMPACT  
 DANFOSS  
 DELTA  
 HYDRAFORCE,  
 INTEGRATED HYD.  
 PARKER  
 STERLING  
 VICKERS  
 WATERMAN


Part No.	Cavity	Port 1	Port 2	Port 3	Port 4	A	B	C	D	E	F	G
MB2398S	STANDARD C-8-4	#8 (3/4-16)	#8 (3/4-16)	#8 (3/4-16)	#8 (3/4-16)	0.38	2.63	3.00	0.63	3.13	1.25	0.41
MB961S	STANDARD C-10-4	#8 (3/4-16)	#8 (3/4-16)	#8 (3/4-16)	#8 (3/4-16)	0.38	2.63	3.00	0.75	3.50	1.25	0.34
MB689S	STANDARD C-16-4	#16 (1 5/16-12)	#16 (1 5/16-12)	#16 (1 5/16-12)	#16 (1 5/16-12)	0.31	3.69	4.00	0.75	5.25	2.00	0.41
MB693S	STANDARD C-20-4	#20 (1 5/8-12)	#20 (1 5/8-12)	#20 (1 5/8-12)	#20 (1 5/8-12)	0.38	3.63	4.00	0.75	6.75	2.50	0.41
MB2398S	COMPACT CP8-4	#8 (3/4-16)	#8 (3/4-16)	#8 (3/4-16)	#8 (3/4-16)	0.38	2.63	3.00	0.63	3.13	1.25	0.41
MB988S	COMPACT CP12-4	#12 (1 1/16-12)	#12 (1 1/16-12)	#12 (1 1/16-12)	#12 (1 1/16-12)	0.38	2.88	3.25	0.75	4.50	2.00	0.41
MB2411S	DANFOSS FC-314	#12 (1 1/16-12)	#12 (1 1/16-12)	#6 (9/16-18)	#6 (9/16-18)	0.38	2.63	3.00	0.75	4.13	1.50	0.41
MB2398S	DELTA 40200029	#8 (3/4-16)	#8 (3/4-16)	#8 (3/4-16)	#8 (3/4-16)	0.38	2.63	3.00	0.63	3.13	1.25	0.41
MB2400S	DELTA 40200035	#12 (1 1/16-12)	#12 (1 1/16-12)	#12 (1 1/16-12)	#12 (1 1/16-12)	0.38	2.63	3.00	1.00	5.00	2.00	0.41
MB2398S	HYDRAFORCE VC08-4	#8 (3/4-16)	#8 (3/4-16)	#8 (3/4-16)	#8 (3/4-16)	0.38	2.63	3.00	0.63	3.13	1.25	0.41
MB2400S	HYDRAFORCE VC12-4	#12 (1 1/16-12)	#12 (1 1/16-12)	#12 (1 1/16-12)	#12 (1 1/16-12)	0.38	2.63	3.00	1.00	5.00	2.00	0.41
MB2415S	INTEGRATED A5302	#8 (3/4-16)	#8 (3/4-16)	#8 (3/4-16)	#8 (3/4-16)	0.38	2.63	3.00	0.75	3.75	1.25	0.41
MB2398S	INTEGRATED A6951	#8 (3/4-16)	#8 (3/4-16)	#8 (3/4-16)	#8 (3/4-16)	0.38	2.63	3.00	0.63	3.13	1.25	0.41
MB2423S	INTEGRATED A12196	#8 (3/4-16)	#8 (3/4-16)	#4 (7/16-20)	#4 (7/16-20)	0.31	2.44	2.75	0.63	3.50	1.50	0.34
MB2434S	INTEGRATED A13098	#16 (1 5/16-12)	#16 (1 5/16-12)	#4 (7/16-20)	#4 (7/16-20)	0.38	2.88	3.25	0.75	4.50	2.00	0.41
MB2398S	PARKER C08-4	#8 (3/4-16)	#8 (3/4-16)	#8 (3/4-16)	#8 (3/4-16)	0.38	2.63	3.00	0.63	3.13	1.25	0.41
MB2399S	PARKER C12-4	#12 (1 1/16-12)	#12 (1 1/16-12)	#12 (1 1/16-12)	#12 (1 1/16-12)	0.38	2.63	3.00	0.75	4.25	2.00	0.41
MB2443S	STERLING 4A	#12 (1 1/16-12)	#12 (1 1/16-12)	#12 (1 1/16-12)	#6 (9/16-18)	0.38	3.13	3.50	1.00	5.25	2.00	0.41
MB2415S	STERLING 4C	#8 (3/4-16)	#8 (3/4-16)	#8 (3/4-16)	#8 (3/4-16)	0.38	2.63	3.00	0.75	3.75	1.25	0.41
MB2398S	VICKERS C-8-4	#8 (3/4-16)	#8 (3/4-16)	#8 (3/4-16)	#8 (3/4-16)	0.38	2.63	3.00	0.63	3.13	1.25	0.41
MB2401S	VICKERS C-12-4	#12 (1 1/16-12)	#12 (1 1/16-12)	#12 (1 1/16-12)	#12 (1 1/16-12)	0.38	2.63	3.00	0.75	4.63	2.00	0.41
MB2398S	WATERMAN 12-4	#8 (3/4-16)	#8 (3/4-16)	#8 (3/4-16)	#8 (3/4-16)	0.38	2.63	3.00	0.63	3.13	1.25	0.41
MB2415S	WATERMAN 14-4	#8 (3/4-16)	#8 (3/4-16)	#8 (3/4-16)	#8 (3/4-16)	0.38	2.63	3.00	0.75	3.75	1.25	0.41

## Cylinder Mount – Single

### SAE ORB Ports

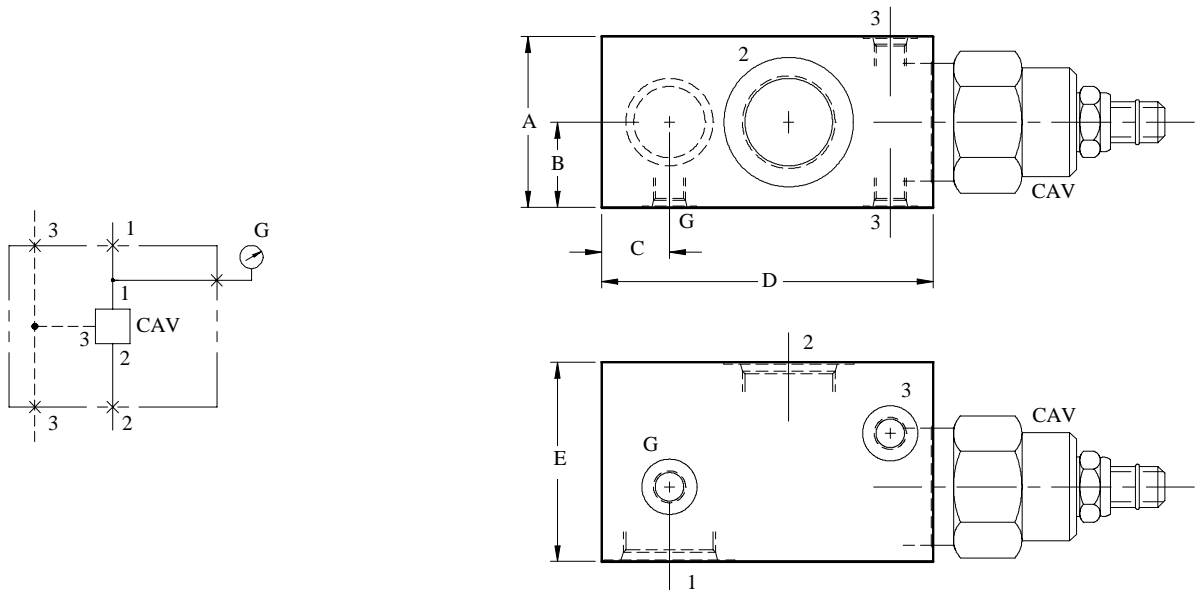
MATL: STEEL

CARTRIDGES: SUN CAVITY (OR EQUIVALENT) '1' IS NOSE OF CARTRIDGE

G (GAGE): #4 SAE ORB.

CONSULT CARTRIDGE MANUFACTURER FOR RATED PRESSURE, FLOW RATE AND CAVITY DETAIL.

FOR 4-BOLT FLANGE MOUNT SEE PAGE 27-4 & 5.



Part No.	CAV Cavity	1 SAE ORB	2 SAE ORB	3 SAE ORB	A	B	C	D	E
MB2269S	SUN T-11A	#8 (3/4-16)	#8 (3/4-16)	#6 (9/16-18)	2.00	1.00	0.63	3.25	2.00
MB2271S	SUN T-2A	#12 (1 1/16-12)	#12 (1 1/16-12)	#6 (9/16-18)	2.00	1.00	0.81	3.63	2.50
MB2272S	SUN T-17A	#16 (1 5/16-12)	#16 (1 5/16-12)	#6 (9/16-18)	2.50	1.25	1.00	4.50	3.00
MB2273S	SUN T-19A	#20 (1 5/8-12)	#20 (1 5/8-12)	#6 (9/16-18)	3.00	1.50	1.19	5.81	3.50

## Single DIN / Poppet Body

### SAE ORB or SAE 4-Bolt Ports

MATL: STEEL

INSERT CAVITY DIMENSIONS MADE TO DIN 24342/ ISO 7368/ NFPA T3.5.45 STANDARDS.  
POPPET BODIES ARE SUITABLE FOR ALL MAKES OF INSERT CARTRIDGES.

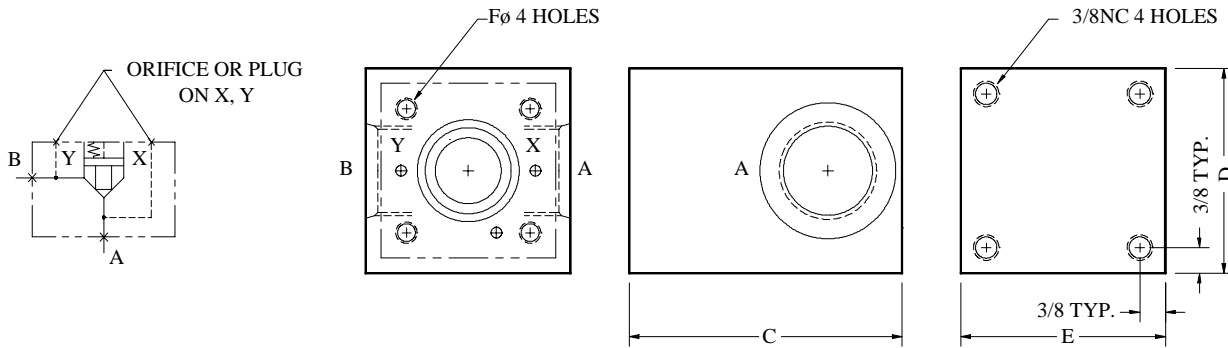
5000 PSI PRESSURE RATING FOR SAE ORB PORTS.

FOR DIMENSIONS OF FLANGE PORTS AND PRESSURE RATING SEE PAGE 41-12.

FLANGE MOUNTING HOLES ARE IN INCHES.

CONSULT CARTRIDGE MANUFACTURER FOR RATED PRESSURE, FLOW RATE AND CAVITY DETAIL.

FOR DIN / POPPET COVER, SEE PAGE 24-8



Part No.	Poppet Size	A, B SAE ORB	C	D	E	F
MB1097S	NG16 / 16mm	#16 (1 5/6-12)	4.00	3.00	3.50	5/16-18NC
MB1098S	NG25 / 25mm	#20 (1 5/8-12)	5.00	4.00	4.00	1/2-13NC
MB1957S	NG32 / 32mm	#24 (1 7/8-12)	5.00	4.50	5.00	5/8-11NC

Part No.	Poppet Size	A, B SAE 4-Bolt	C	D	E	F
MB1958S	NG16 / 16mm	1 C61	4.38	3.00	3.00	5/16-18NC
MB1962S	NG16 / 16mm	1 C62	4.38	3.50	3.50	5/16-18NC
MB1959S	NG25 / 25mm	1 1/4 C61	5.00	4.00	4.00	1/2-13NC
MB1963S	NG25 / 25mm	1 1/4 C62	5.25	4.00	4.50	1/2-13NC
MB1099S	NG32 / 32mm	1 1/2 C61	5.50	4.50	5.00	5/8-11NC
MB1960S	NG32 / 32mm	1 1/2 C62	6.00	4.50	5.25	5/8-11NC
MB1100S	NG40 / 40mm	2 C61	6.88	5.00	6.00	3/4-10NC
MB1952S	NG40 / 40mm	2 C62	7.13	5.38	6.00	3/4-10NC
MB1101S	NG50 / 50mm	2 1/2 C61	8.00	6.00	6.50	3/4-10NC
MB1961S	NG50 / 50mm	2 1/2 C62	8.50	6.75	7.00	3/4-10NC