

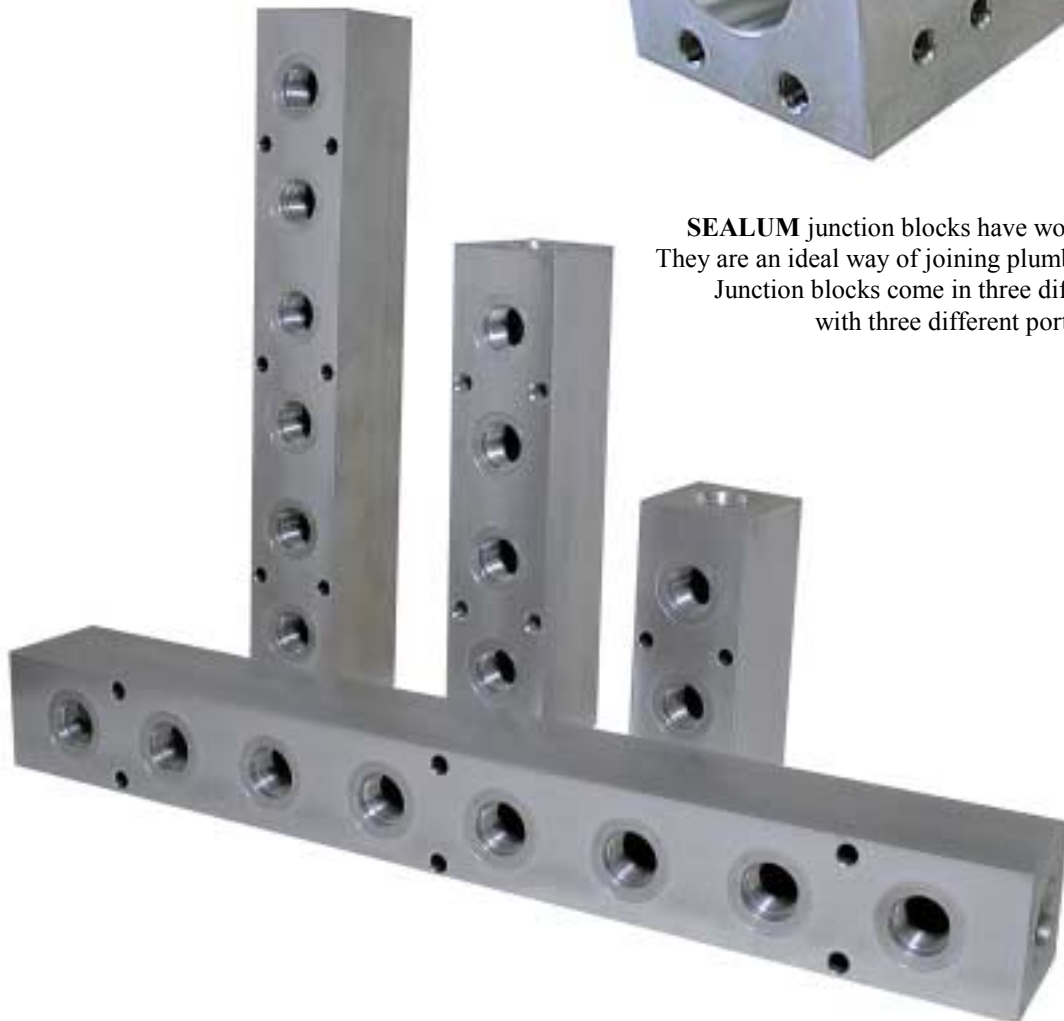


Header & Junction Blocks

SEALUM header blocks have all ports connected, with the work ports common to one center port. The center port is always one size larger than the work ports. Header blocks come in four different configurations, with three different porting options.



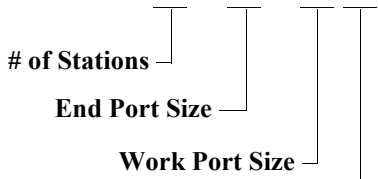
SEALUM junction blocks have work ports only connected. They are an ideal way of joining plumbing or to change direction. Junction blocks come in three different configurations, with three different porting options.



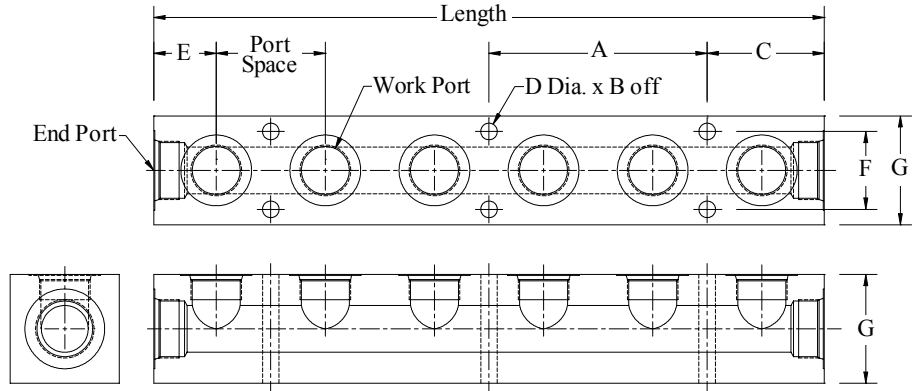
Materials range from C1018 Steel to 6061-T6 Aluminum to 316 Stainless Steel.

ORB (O'Ring Boss) Branch Header Blocks (*All Ports Connected*)

3053 - X - X - X X



Material:
S = C1018 Steel
SS = 316 Stainless
A = 6061-T6 Aluminum



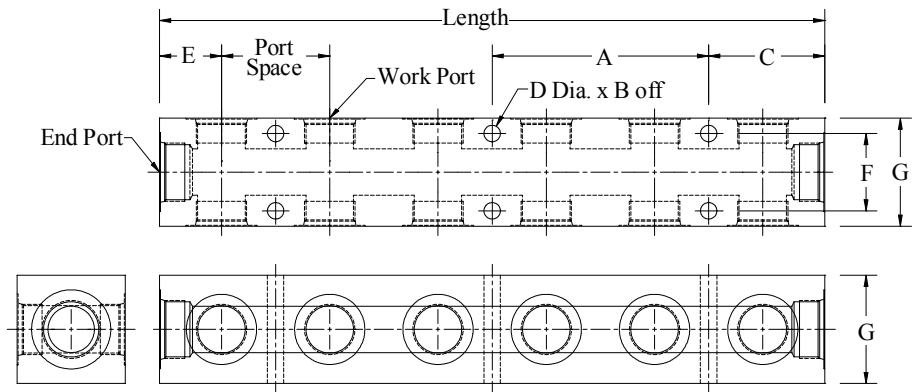
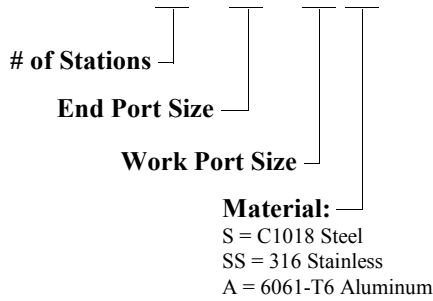
Pressure Ratings:

5000 PSI in C1018 Steel
5000 PSI in 316L Stainless
3000 PSI in 6061-T6 Aluminum

Number of Stations	End Port Size	Work Port Size	Length	A	B	C	D	Port Spacing	E	F	G
2	#12 ORB (1-1/16"-12)	#8 ORB (3/4"-16)	4.75	—	4	2.38	9/32	2.00	1.38	1.50	2.00
3			6.75	—	4						
4			8.75	—	4						
6			12.75	5.00	6						
8			16.75	7.00	6						
10			20.75	9.00	6						
2	#16 ORB (1-5/16"-12)	#12 ORB (1-1/16"-12)	5.50	—	4	2.75	9/32	2.50	1.50	1.75	2.50
3			8.00	—	4						
4			10.50	—	4						
6			15.50	6.25	6						
8			20.50	8.75	6						
10			25.50	11.25	6						
2	#20 ORB (1-5/8"-12)	#16 ORB (1-5/16"-12)	6.25	—	4	3.13	13/32	2.75	1.75	2.25	3.00
3			9.00	—	4						
4			11.75	—	4						
6			17.25	6.88	6						
8			22.75	9.63	6						
10			28.25	12.38	6						
2	#24 ORB (1-7/8"-12)	#20 ORB (1-5/8"-12)	7.50	—	4	3.75	17/32	3.50	2.00	2.50	3.50
3			11.00	—	4						
4			14.50	—	4						
6			21.50	10.50	6						
8			28.50	12.25	6						
2			#32 ORB (2-1/2"-12)	#24 ORB (1-7/8"-12)	8.25						
3	12.25	—			4						
4	16.25	—			4						
6	24.25	10.00			6						

ORB (O'Ring Boss) Run Header Blocks (*All Ports Connected*)

3057 - X - X - X X



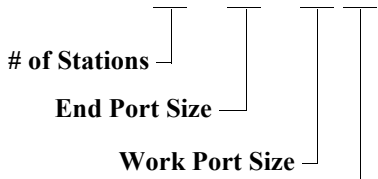
Pressure Ratings:

5000 PSI in C1018 Steel
5000 PSI in 316L Stainless
3000 PSI in 6061-T6 Aluminum

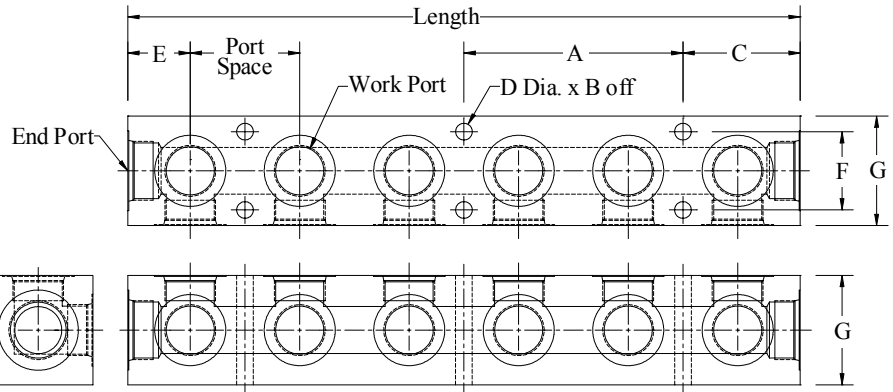
Number of Stations	End Port Size	Work Port Size	Length	A	B	C	D	Port Spacing	E	F	G
2	#12 ORB (1-1/16"-12)	#8 ORB (3/4"-16)	4.75	—	4	2.38	9/32	2.00	1.38	1.50	2.00
3			6.75	—	4						
4			8.75	—	4						
6			12.75	5.00	6						
8			16.75	7.00	6						
10			20.75	9.00	6						
2	#16 ORB (1-5/16"-12)	#12 ORB (1-1/16"-12)	5.50	—	4	2.75	9/32	2.50	1.50	1.75	2.50
3			8.00	—	4						
4			10.50	—	4						
6			15.50	6.25	6						
8			20.50	8.75	6						
10			25.50	11.25	6						
2	#20 ORB (1-5/8"-12)	#16 ORB (1-5/16"-12)	6.25	—	4	3.13	13/32	2.75	1.75	2.25	3.00
3			9.00	—	4						
4			11.75	—	4						
6			17.25	6.88	6						
8			22.75	9.63	6						
10			28.25	12.38	6						
2	#24 ORB (1-7/8"-12)	#20 ORB (1-5/8"-12)	7.50	—	4	3.75	17/32	3.50	2.00	2.50	3.50
3			11.00	—	4						
4			14.50	—	4						
6			21.50	10.50	6						
8			28.50	12.25	6						
2			#32 ORB (2-1/2"-12)	#24 ORB (1-7/8"-12)	8.25						
3	12.25	—			4						
4	16.25	—			4						
6	24.25	10.00			6						

ORB (O'Ring Boss) Elbow Header Blocks (All Ports Connected)

3061 - X - X - X X



Material:
S = C1018 Steel
SS = 316 Stainless
A = 6061-T6 Aluminum



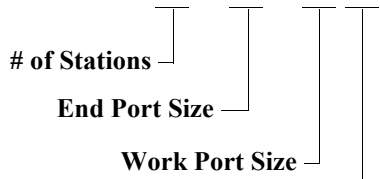
Pressure Ratings:

5000 PSI in C1018 Steel
5000 PSI in 316L Stainless
3000 PSI in 6061-T6 Aluminum

Number of Stations	End Port Size	Work Port Size	Length	A	B	C	D	Port Spacing	E	F	G
2	#12 ORB (1-1/16"-12)	#8 ORB (3/4"-16)	4.75	—	4	2.38	9/32	2.00	1.38	1.50	2.00
3			6.75	—	4						
4			8.75	—	4						
6			12.75	5.00	6						
8			16.75	7.00	6						
10			20.75	9.00	6						
2	#16 ORB (1-5/16"-12)	#12 ORB (1-1/16"-12)	5.50	—	4	2.75	9/32	2.50	1.50	1.75	2.50
3			8.00	—	4						
4			10.50	—	4						
6			15.50	6.25	6						
8			20.50	8.75	6						
10			25.50	11.25	6						
2	#20 ORB (1-5/8"-12)	#16 ORB (1-5/16"-12)	6.25	—	4	3.13	13/32	2.75	1.75	2.25	3.00
3			9.00	—	4						
4			11.75	—	4						
6			17.25	6.88	6						
8			22.75	9.63	6						
10			28.25	12.38	6						
2	#24 ORB (1-7/8"-12)	#20 ORB (1-5/8"-12)	7.50	—	4	3.75	17/32	3.50	2.00	2.50	3.50
3			11.00	—	4						
4			14.50	—	4						
6			21.50	10.50	6						
8			28.50	12.25	6						
2			#32 ORB (2-1/2"-12)	#24 ORB (1-7/8"-12)	8.25						
3	12.25	—			4						
4	16.25	—			4						
6	24.25	10.00			6						

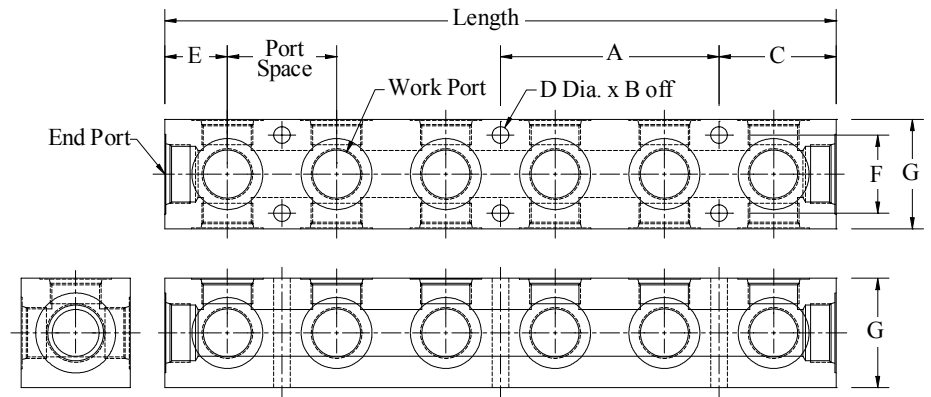
ORB (O'Ring Boss) Tee Header Blocks (*All Ports Connected*)

3065 - X - X - X X



Material:
S = C1018 Steel
SS = 316 Stainless
A = 6061-T6 Aluminum

Pressure Ratings:
5000 PSI in C1018 Steel
5000 PSI in 316L Stainless
3000 PSI in 6061-T6 Aluminum

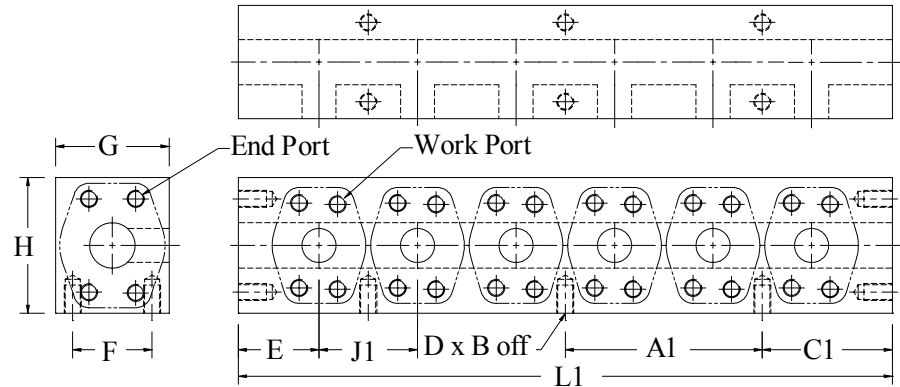


Number of Stations	End Port Size	Work Port Size	Length	A	B	C	D	Port Spacing	E	F	G
2	#12 ORB (1-1/16"-12)	#8 ORB (3/4"-16)	4.75	—	4	2.38	9/32	2.00	1.38	1.50	2.00
3			6.75	—	4						
4			8.75	—	4						
6			12.75	5.00	6						
8			16.75	7.00	6						
10			20.75	9.00	6						
2	#16 ORB (1-5/16"-12)	#12 ORB (1-1/16"-12)	5.50	—	4	2.75	9/32	2.50	1.50	1.75	2.50
3			8.00	—	4						
4			10.50	—	4						
6			15.50	6.25	6						
8			20.50	8.75	6						
10			25.50	11.25	6						
2	#20 ORB (1-5/8"-12)	#16 ORB (1-5/16"-12)	6.25	—	4	3.13	13/32	2.75	1.75	2.25	3.00
3			9.00	—	4						
4			11.75	—	4						
6			17.25	6.88	6						
8			22.75	9.63	6						
10			28.25	12.38	6						
2	#24 ORB (1-7/8"-12)	#20 ORB (1-5/8"-12)	7.50	—	4	3.75	17/32	3.50	2.00	2.50	3.50
3			11.00	—	4						
4			14.50	—	4						
6			21.50	10.50	6						
8			28.50	12.25	6						
10			35.50	14.00	6						
2	#32 ORB (2-1/2"-12)	#24 ORB (1-7/8"-12)	8.25	—	4	4.13	17/32	4.00	2.13	3.00	4.00
3			12.25	—	4						
4			16.25	—	4						
6			24.25	10.00	6						
8			32.25	11.75	6						

Code 61 Branch Header Blocks (All Ports Connected)

3051 - X - X - X X

of Stations ———
End Port Size ———
Work Port Size ———
Material:
S = C1018 Steel
SS = 316 Stainless



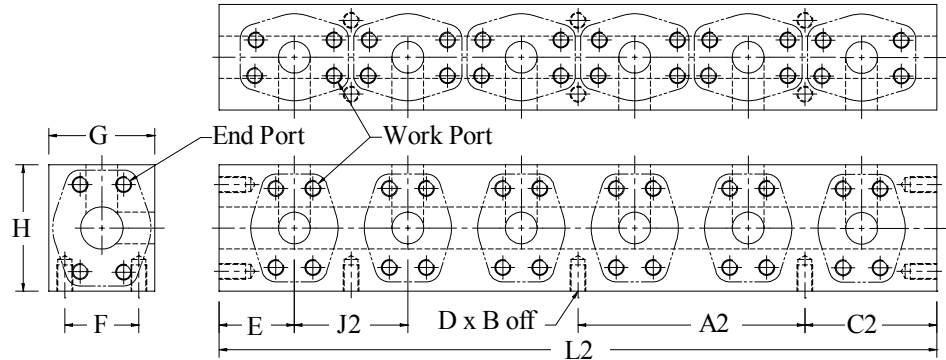
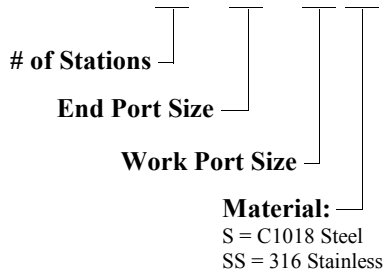
Pressure Ratings:

Pressure ratings are governed by largest flange size.
[CLICK HERE](#) for code 61 pressure ratings.

No. of Stations	End Port Size	Work Port Size	L1	A1	B	C1	C2	D	J1	E	F	G	H
2	1.00" Code 61	3/4" Code 61	5.69	—	2	2.84	3.09	3/8"-16 NC	2.19	1.75	1.75	2.50	3.00
3			7.88	—	4								
4			10.06	—	4								
6			14.44	4.38	6								
8			18.81	6.56	6								
10			23.19	8.75	6								
2	1.25" Code 61	1.00" Code 61	6.19	—	2	3.09	3.31	3/8"-16 NC	2.44	1.88	1.75	2.50	3.00
3			8.63	—	4								
4			11.06	—	4								
6			15.94	4.88	6								
8			20.81	7.31	6								
10			25.69	9.75	6								
2	1.50" Code 61	1.25" Code 61	7.63	—	2	3.81	3.94	7/16"-14 NC	3.00	2.31	2.13	3.00	4.00
3			10.63	—	4								
4			13.63	—	4								
6			19.63	6.00	6								
8			25.63	9.00	6								
10			31.63	12.00	6								
2	2.00" Code 61	1.50" Code 61	8.63	—	2	4.31	4.53	1/2"-13 NC	3.38	2.63	3.00	4.00	4.00
3			12.00	—	4								
4			15.38	—	4								
6			22.13	6.75	6								
8			28.88	10.13	6								
10			35.63	13.51	6								
2	2.50" Code 61	2.00" Code 61	9.44	—	2	4.72	4.81	1/2"-13 NC	3.94	2.75	3.50	4.50	4.50
3			13.38	—	4								
4			17.31	—	4								
6			25.19	7.88	6								

Code 61 Elbow Header Blocks *(All Ports Connected)*

3059 - X - X - X X



Pressure Ratings:

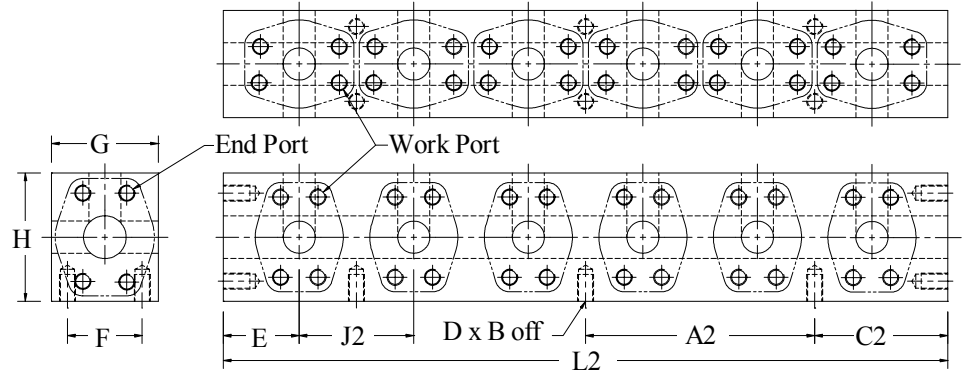
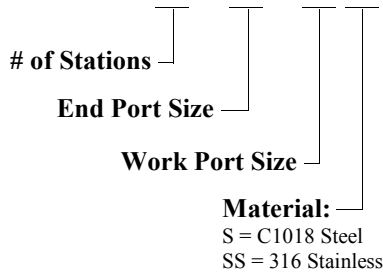
Pressure ratings are governed by largest flange size.

[CLICK HERE](#) for code 61 pressure ratings.

No. of Stations	End Port Size	Work Port Size	L2	A2	B	C2	D	J2	E	F	G	H
2	1.00" Code 61	3/4" Code 61	6.19	—	2	3.09	3/8"-16 NC	2.69	1.75	1.75	2.50	3.00
3			8.88	—	4							
4			11.56	—	4							
6			16.94	5.38	6							
8			22.31	8.06	6							
10			27.69	10.75	6							
2	1.25" Code 61	1.00" Code 61	6.63	—	2	3.31	3/8"-16 NC	2.88	1.88	1.75	2.50	3.00
3			9.50	—	4							
4			12.38	—	4							
6			18.13	5.75	6							
8			23.88	8.63	6							
10			29.63	11.50	6							
2	1.50" Code 61	1.25" Code 61	7.88	—	2	3.94	7/16"-14 NC	3.25	2.31	2.13	3.00	4.00
3			11.13	—	4							
4			14.38	—	4							
6			20.88	6.50	6							
8			27.38	9.75	6							
10			33.88	13.00	6							
2	2.00" Code 61	1.50" Code 61	9.06	—	2	4.53	1/2"-13 NC	3.81	2.63	3.00	4.00	4.00
3			12.88	—	4							
4			16.69	—	4							
6			24.31	7.63	6							
8			31.94	11.44	6							
2			2.50" Code 61	2.00" Code 61	9.63							
3	13.75	—			4							
4	17.88	—			4							
6	26.13	8.25			6							

Code 61 Tee Header Blocks (All Ports Connected)

3063 - X - X - X X



Pressure Ratings:

Pressure ratings are governed by largest flange size.

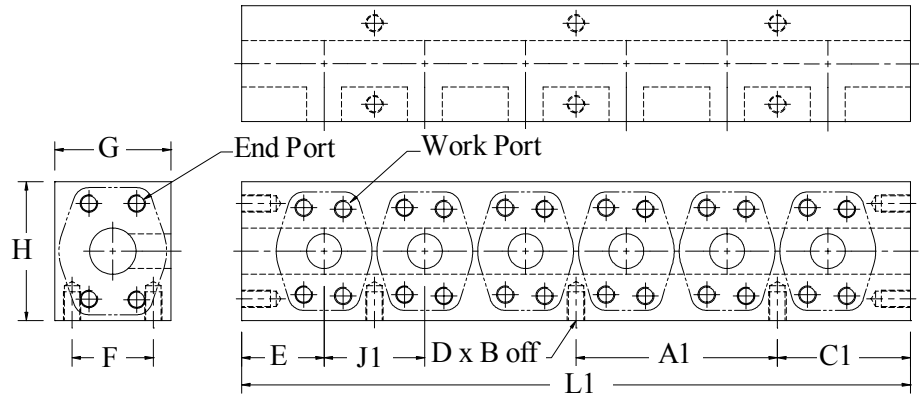
[CLICK HERE](#) for code 61 pressure ratings.

No. of Stations	End Port Size	Work Port Size	L2	A2	B	C2	D	J2	E	F	G	H
2	1.00" Code 61	3/4" Code 61	6.19	—	2	3.09	3/8"-16 NC	2.69	1.75	1.75	2.50	3.00
3			8.88	—	4							
4			11.56	—	4							
6			16.94	5.38	6							
8			22.31	8.06	6							
10			27.69	10.75	6							
2	1.25" Code 61	1.00" Code 61	6.63	—	2	3.31	3/8"-16 NC	2.88	1.88	1.75	2.50	3.00
3			9.50	—	4							
4			12.38	—	4							
6			18.13	5.75	6							
8			23.88	8.63	6							
10			29.63	11.50	6							
2	1.50" Code 61	1.25" Code 61	7.88	—	2	3.94	7/16"-14 NC	3.25	2.31	2.13	3.00	4.00
3			11.13	—	4							
4			14.38	—	4							
6			20.88	6.50	6							
8			27.38	9.75	6							
10			33.88	13.00	6							
2	2.00" Code 61	1.50" Code 61	9.06	—	2	4.53	1/2"-13 NC	3.81	2.63	3.00	4.00	4.00
3			12.88	—	4							
4			16.69	—	4							
6			24.31	7.63	6							
8			31.94	11.44	6							
2			2.50" Code 61	2.00" Code 61	9.63							
3	13.75	—			4							
4	17.88	—			4							
6	26.13	8.25			6							

Code 62 Branch Header Blocks (All Ports Connected)

3052 - X - X - X X

of Stations
End Port Size
Work Port Size
Material:
S = C1018 Steel
SS = 316 Stainless



Pressure Ratings:

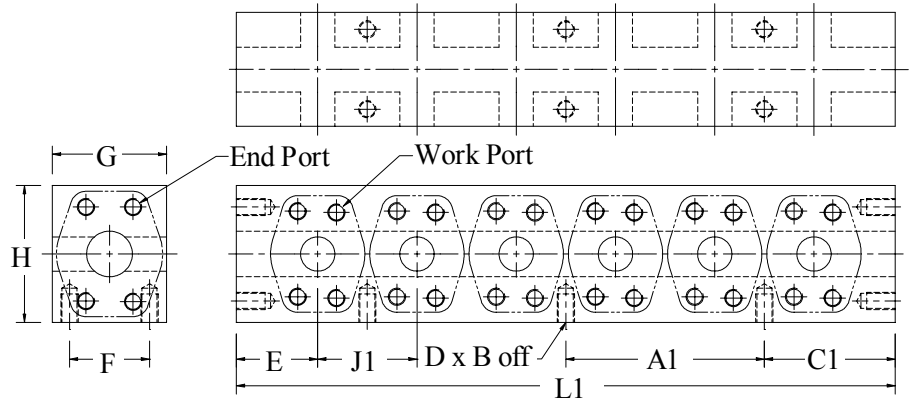
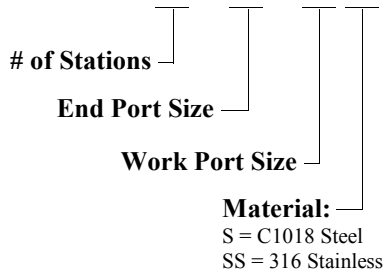
6000 PSI in C1018 Steel

6000 PSI in 316L Stainless

No. of Stations	End Port Size	Work Port Size	L1	A1	B	C1	D	J1	E	F	G	H
2	1.00" Code 62	3/4" Code 62	6.50	—	2	3.25	3/8"-16 NC	2.50	2.00	1.75	2.50	3.00
3			9.00	—	4							
4			11.50	—	4							
6			16.50	5.00	6							
8			21.50	7.50	6							
10			26.50	10.11	6							
2	1.25" Code 62	1.00" Code 62	7.63	—	2	3.81	7/16"-14 NC	2.88	2.38	2.13	3.00	3.75
3			10.50	—	4							
4			13.38	—	4							
6			19.13	5.75	6							
8			24.88	8.63	6							
10			30.63	11.50	6							
2	1.50" Code 62	1.25" Code 62	8.19	—	2	4.09	1/2"-13 NC	3.19	2.50	2.50	3.50	4.50
3			11.38	—	4							
4			14.56	—	4							
6			20.94	6.38	6							
8			27.31	9.56	6							
10			33.69	12.75	6							
2	2.00" Code 62	1.50" Code 62	9.88	—	2	4.94	5/8"-11 NC	3.88	3.00	2.75	4.00	5.00
3			13.75	—	4							
4			17.63	—	4							
6			25.38	7.75	6							
8			33.13	11.63	6							

Code 62 Run Header Blocks (All Ports Connected)

3056 - X - X - X X



Pressure Ratings:

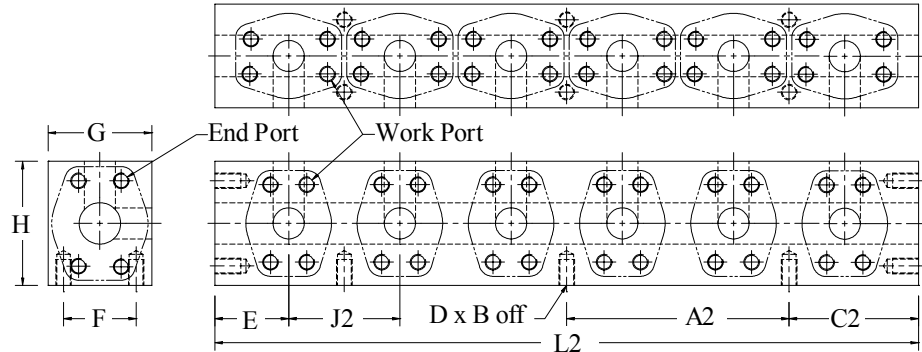
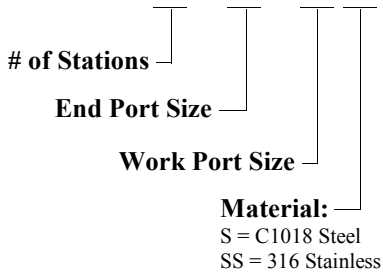
6000 PSI in C1018 Steel

6000 PSI in 316L Stainless

No. of Stations	End Port Size	Work Port Size	L1	A1	B	C1	D	J1	E	F	G	H
2	1.00" Code 62	3/4" Code 62	6.50	—	2	3.25	3/8"-16 NC	2.50	2.00	1.75	2.50	3.00
3			9.00	—	4							
4			11.50	—	4							
6			16.50	5.00	6							
8			21.50	7.50	6							
10			26.50	10.11	6							
2	1.25" Code 62	1.00" Code 62	7.63	—	2	3.81	7/16"-14 NC	2.88	2.38	2.13	3.00	3.75
3			10.50	—	4							
4			13.38	—	4							
6			19.13	5.75	6							
8			24.88	8.63	6							
10			30.63	11.50	6							
2	1.50" Code 62	1.25" Code 62	8.19	—	2	4.09	1/2"-13 NC	3.19	2.50	2.50	3.50	4.50
3			11.38	—	4							
4			14.56	—	4							
6			20.94	6.38	6							
8			27.31	9.56	6							
10			33.69	12.75	6							
2	2.00" Code 62	1.50" Code 62	9.88	—	2	4.94	5/8"-11 NC	3.88	3.00	2.75	4.00	5.00
3			13.75	—	4							
4			17.63	—	4							
6			25.38	7.75	6							
8			33.13	11.63	6							

Code 62 Elbow Header Blocks (All Ports Connected)

3060 - X - X - X X



Pressure Ratings:

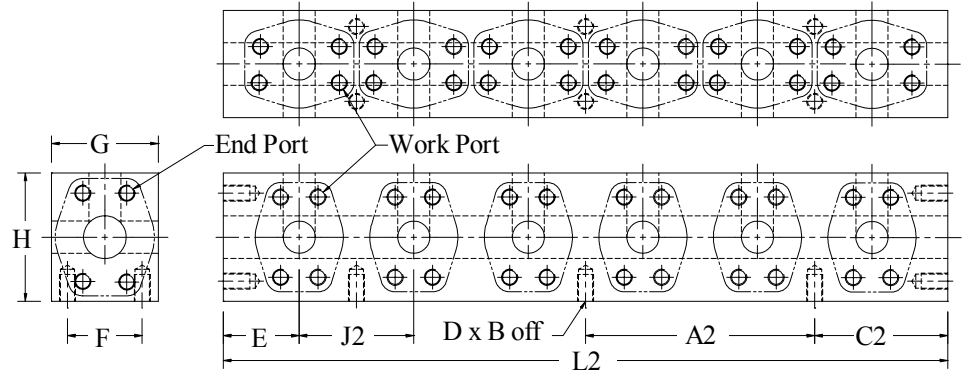
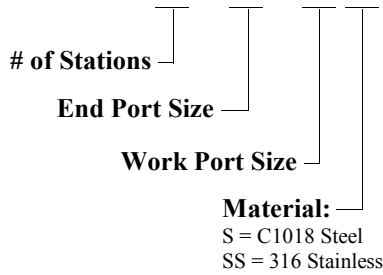
6000 PSI in C1018 Steel

6000 PSI in 316L Stainless

No. of Stations	End Port Size	Work Port Size	L2	A2	B	C2	D	J2	E	F	G	H
2	1.00" Code 62	3/4" Code 62	6.94	—	2	3.46	3/8"-16 NC	2.94	2.00	1.75	2.50	3.00
3			9.88	—	4							
4			12.81	—	4							
6			18.69	5.88	6							
8			24.56	8.81	6							
10			30.44	11.75	6							
2	1.25" Code 62	1.00" Code 62	8.00	—	2	4.00	7/16"-14 NC	3.25	2.38	2.13	3.00	3.75
3			11.25	—	4							
4			14.50	—	4							
6			21.00	6.50	6							
8			27.50	9.75	6							
10			34.00	13.00	6							
2	1.50" Code 62	1.25" Code 62	8.88	—	2	4.44	1/2"-13 NC	3.88	2.50	2.50	3.50	4.50
3			12.75	—	4							
4			16.63	—	4							
6			24.38	7.75	6							
8			32.13	11.63	6							
10			39.88	15.50	6							
2	2.00" Code 62	1.50" Code 62	10.63	—	2	5.31	5/8"-11 NC	4.63	3.00	2.75	4.00	5.00
3			15.25	—	4							
4			19.88	—	4							
6			29.13	9.25	6							
8			38.38	13.88	6							

Code 62 Tee Header Blocks (All Ports Connected)

3064 - X - X - X X



Pressure Ratings:

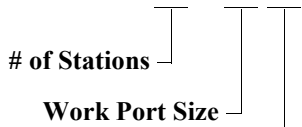
6000 PSI in C1018 Steel

6000 PSI in 316L Stainless

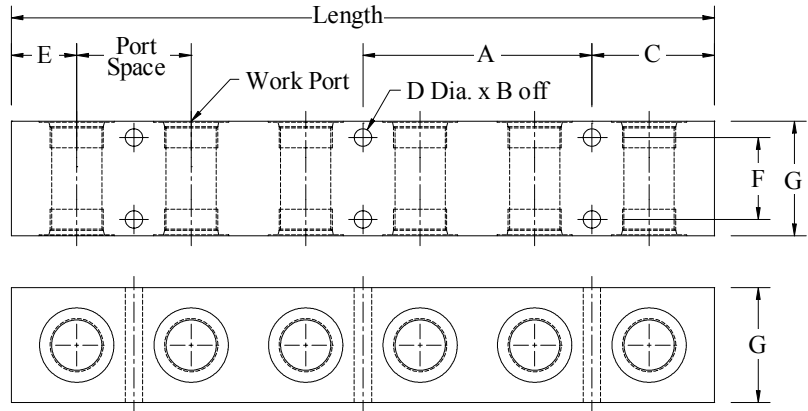
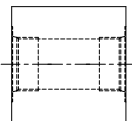
No. of Stations	End Port Size	Work Port Size	L2	A2	B	C2	D	J2	E	F	G	H
2	1.00" Code 62	3/4" Code 62	6.94	—	2	3.46	3/8"-16 NC	2.94	2.00	1.75	2.50	3.00
3			9.88	—	4							
4			12.81	—	4							
6			18.69	5.88	6							
8			24.56	8.81	6							
10	30.44	11.75	6									
2	1.25" Code 62	1.00" Code 62	8.00	—	2	4.00	7/16"-14 NC	3.25	2.38	2.13	3.00	3.75
3			11.25	—	4							
4			14.50	—	4							
6			21.00	6.50	6							
8			27.50	9.75	6							
10	34.00	13.00	6									
2	1.50" Code 62	1.25" Code 62	8.88	—	2	4.44	1/2"-13 NC	3.88	2.50	2.50	3.50	4.50
3			12.75	—	4							
4			16.63	—	4							
6			24.38	7.75	6							
8			32.13	11.63	6							
10	39.88	15.50	6									
2	2.00" Code 62	1.50" Code 62	10.63	—	2	5.31	5/8"-11 NC	4.63	3.00	2.75	4.00	5.00
3			15.25	—	4							
4			19.88	—	4							
6			29.13	9.25	6							
8			38.38	13.88	6							

ORB (O'Ring Boss) Run Junction Blocks *(Work Ports Connected)*

3069 - X - X X



Material:
S = C1018 Steel
SS = 316 Stainless
A = 6061-T6 Aluminum



Pressure Ratings:

5000 PSI in C1018 Steel
5000 PSI in 316L Stainless
3000 PSI in 6061-T6 Aluminum

Number of Stations	Work Port Size	Length	A	B	C	D	Port Spacing	E	F	G
2	#8 ORB (3/4"-16)	4.75	—	4	2.38	9/32	2.00	1.38	1.50	2.00
3		6.75	—	4						
4		8.75	—	4						
6		12.75	5.00	6						
8		16.75	7.00	6						
10		20.75	9.00	6						
2	#12 ORB (1-1/16"-12)	5.50	—	4	2.75	9/32	2.50	1.50	1.75	2.50
3		8.00	—	4						
4		10.50	—	4						
6		15.50	6.25	6						
8		20.50	8.75	6						
10		25.50	11.25	6						
2	#16 ORB (1-5/16"-12)	6.25	—	4	3.13	13/32	2.75	1.75	2.25	3.00
3		9.00	—	4						
4		11.75	—	4						
6		17.25	6.88	6						
8		22.75	9.63	6						
10		28.25	12.38	6						
2	#20 ORB (1-5/8"-12)	7.50	—	4	3.75	17/32	3.50	2.00	2.50	3.50
3		11.00	—	4						
4		14.50	—	4						
6		21.50	10.50	6						
8		28.50	12.25	6						
2		#24 ORB (1-7/8"-12)	8.25	—						
3	12.25		—	4						
4	16.25		—	4						
6	24.25		10.00	6						

ORB (O'Ring Boss) Elbow Junction Blocks *(Work Ports Connected)*

3073 - X - X X

of Stations

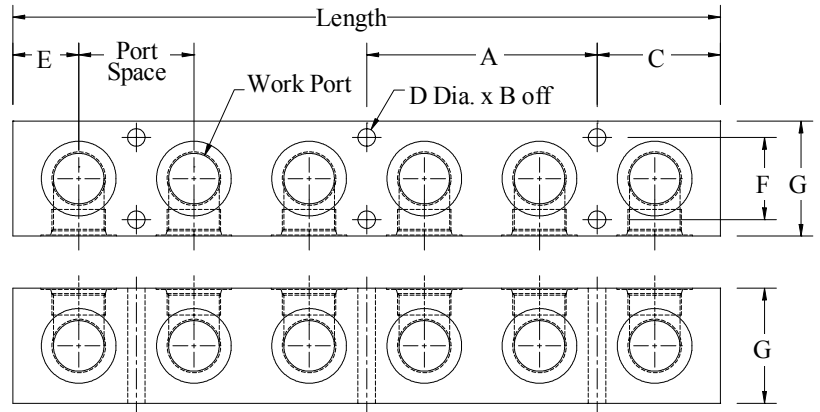
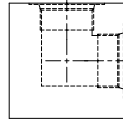
Work Port Size

Material:

S = C1018 Steel

SS = 316 Stainless

A = 6061-T6 Aluminum



Pressure Ratings:

5000 PSI in C1018 Steel

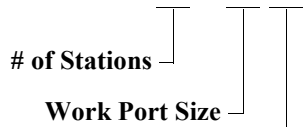
5000 PSI in 316L Stainless

3000 PSI in 6061-T6 Aluminum

Number of Stations	Work Port Size	Length	A	B	C	D	Port Spacing	E	F	G
2	#8 ORB (3/4"-16)	4.75	—	4	2.38	9/32	2.00	1.38	1.50	2.00
3		6.75	—	4						
4		8.75	—	4						
6		12.75	5.00	6						
8		16.75	7.00	6						
10		20.75	9.00	6						
2	#12 ORB (1-1/16"-12)	5.50	—	4	2.75	9/32	2.50	1.50	1.75	2.50
3		8.00	—	4						
4		10.50	—	4						
6		15.50	6.25	6						
8		20.50	8.75	6						
10		25.50	11.25	6						
2	#16 ORB (1-5/16"-12)	6.25	—	4	3.13	13/32	2.75	1.75	2.25	3.00
3		9.00	—	4						
4		11.75	—	4						
6		17.25	6.88	6						
8		22.75	9.63	6						
10		28.25	12.38	6						
2	#20 ORB (1-5/8"-12)	7.50	—	4	3.75	17/32	3.50	2.00	2.50	3.50
3		11.00	—	4						
4		14.50	—	4						
6		21.50	10.50	6						
8		28.50	12.25	6						
2		#24 ORB (1-7/8"-12)	8.25	—						
3	12.25		—	4						
4	16.25		—	4						
6	24.25		10.00	6						

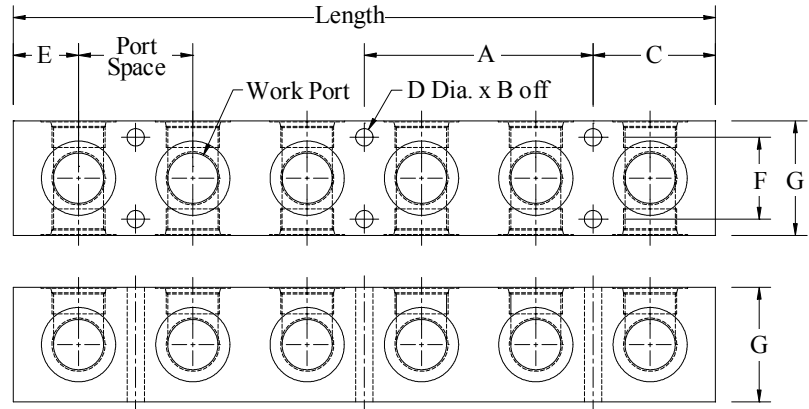
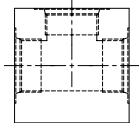
ORB (O'Ring Boss) Tee Junction Blocks (*Work Ports Connected*)

3077 - X - X X



Material:

- S = C1018 Steel
- SS = 316 Stainless
- A = 6061-T6 Aluminum



Pressure Ratings:

- 5000 PSI in C1018 Steel
- 5000 PSI in 316L Stainless
- 3000 PSI in 6061-T6 Aluminum

Number of Stations	Work Port Size	Length	A	B	C	D	Port Spacing	E	F	G
2	#8 ORB (3/4"-16)	4.75	—	4	2.38	9/32	2.00	1.38	1.50	2.00
3		6.75	—	4						
4		8.75	—	4						
6		12.75	5.00	6						
8		16.75	7.00	6						
10		20.75	9.00	6						
2	#12 ORB (1-1/16"-12)	5.50	—	4	2.75	9/32	2.50	1.50	1.75	2.50
3		8.00	—	4						
4		10.50	—	4						
6		15.50	6.25	6						
8		20.50	8.75	6						
10		25.50	11.25	6						
2	#16 ORB (1-5/16"-12)	6.25	—	4	3.13	13/32	2.75	1.75	2.25	3.00
3		9.00	—	4						
4		11.75	—	4						
6		17.25	6.88	6						
8		22.75	9.63	6						
10		28.25	12.38	6						
2	#20 ORB (1-5/8"-12)	7.50	—	4	3.75	17/32	3.50	2.00	2.50	3.50
3		11.00	—	4						
4		14.50	—	4						
6		21.50	10.50	6						
8		28.50	12.25	6						
2		#24 ORB (1-7/8"-12)	8.25	—						
3	12.25		—	4						
4	16.25		—	4						
6	24.25		10.00	6						

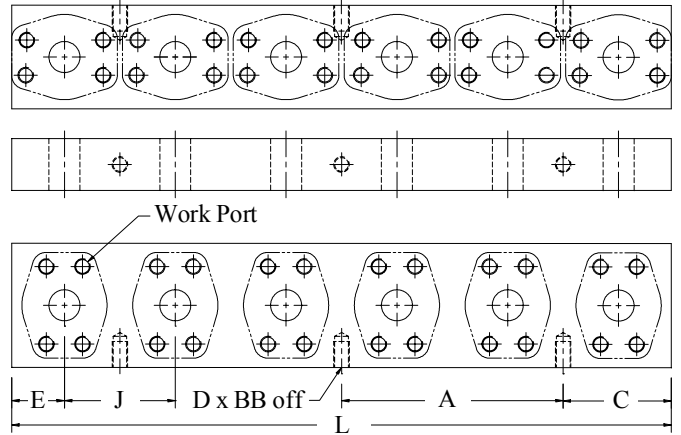
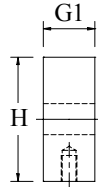
Code 61 Run Junction Blocks *(Work Ports Connected)*

3067 - X - X X

of Stations

Work Port Size

Material:
S = C1018 Steel
SS = 316 Stainless



Pressure Ratings:

Pressure ratings are governed by largest flange size.

[CLICK HERE](#) for code 61 pressure ratings.

No. of Stations	Work Port Size	L	A	BB	C	D	J	E	F	G1	H
2	3/4" Code 61	5.19	—	—	2.59	3/8"-16 NC	2.69	1.25	1.75	1.00	2.50
3		7.88	—	2							
4		10.56	—	2							
6		15.94	5.38	3							
8		21.31	8.06	3							
10	26.69	10.75	3								
2	1.00" Code 61	5.63	—	—	2.81	3/8"-16 NC	2.88	1.38	1.75	1.00	3.00
3		8.50	—	2							
4		11.38	—	2							
6		17.13	5.75	3							
8		22.88	8.63	3							
10	28.63	11.50	3								
2	1.25" Code 61	6.50	—	—	3.25	7/16"-14 NC	3.25	1.63	2.00	1.25	3.50
3		9.75	—	2							
4		13.00	—	2							
6		19.50	6.50	3							
8		26.00	9.75	3							
10	32.50	13.00	3								
2	1.50" Code 61	7.56	—	—	3.78	1/2"-13 NC	3.82	1.88	3.00	1.50	4.00
3		11.38	—	2							
4		15.19	—	2							
6		22.81	7.63	3							
8		30.44	11.44	3							
2	2.00" Code 61	8.13	—	—	4.06	1/2"-13 NC	4.13	2.00	3.00	1.50	4.00
3		12.25	—	2							
4		16.38	—	2							
6		24.63	8.25	3							

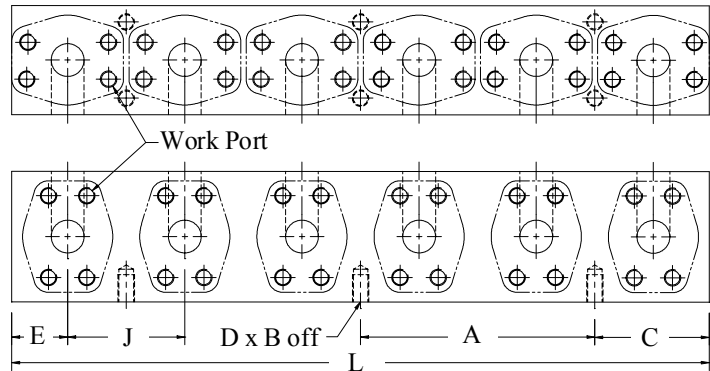
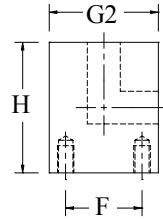
Code 61 Elbow Junction Blocks (Work Ports Connected)

3071 - X - X X

of Stations

Work Port Size

Material:
S = C1018 Steel
SS = 316 Stainless



Pressure Ratings:

Pressure ratings are governed by largest flange size.

[CLICK HERE](#) for code 61 pressure ratings.

No. of Stations	Work Port Size	L	A	B	C	D	J	E	F	G2	H
2	3/4" Code 61	5.19	—	2	2.59	3/8"-16 NC	2.69	1.25	1.75	2.50	2.50
3		7.88	—	4							
4		10.56	—	4							
6		15.94	5.38	6							
8		21.31	8.06	6							
10		26.69	10.75	6							
2	1.00" Code 61	5.63	—	2	2.81	3/8"-16 NC	2.88	1.38	1.75	2.50	3.00
3		8.50	—	4							
4		11.38	—	4							
6		17.13	5.75	6							
8		22.88	8.63	6							
10		28.63	11.50	6							
2	1.25" Code 61	6.50	—	2	3.25	7/16"-14 NC	3.25	1.63	2.00	3.00	3.50
3		9.75	—	4							
4		13.00	—	4							
6		19.50	6.50	6							
8		26.00	9.75	6							
10		32.50	13.00	6							
2	1.50" Code 61	7.56	—	2	3.78	1/2"-13 NC	3.82	1.88	3.00	4.00	4.00
3		11.38	—	4							
4		15.19	—	4							
6		22.81	7.63	6							
8		30.44	11.44	6							
2		2.00" Code 61	8.13	—							
3	12.25		—	4							
4	16.38		—	4							
6	24.63		8.25	6							

Code 61 Tee Junction Blocks (*Work Ports Connected*)

3075 - X - X X

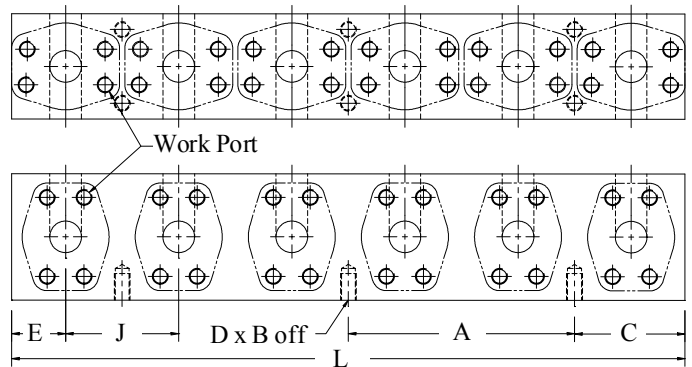
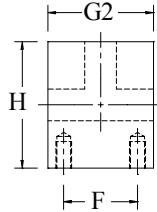
of Stations

Work Port Size

Material:

S = C1018 Steel

SS = 316 Stainless



Pressure Ratings:

Pressure ratings are governed by largest flange size.

[CLICK HERE](#) for code 61 pressure ratings.

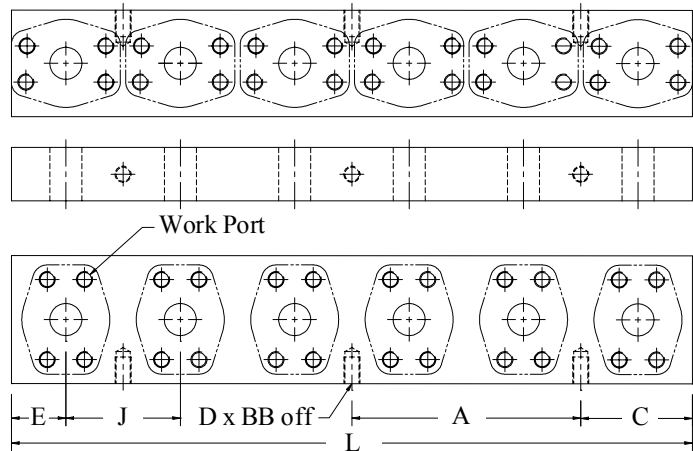
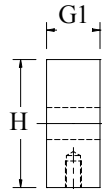
No. of Stations	Work Port Size	L	A	B	C	D	J	E	F	G2	H
2	3/4" Code 61	5.19	—	2	2.59	3/8"-16 NC	2.69	1.25	1.75	2.50	2.50
3		7.88	—	4							
4		10.56	—	4							
6		15.94	5.38	6							
8		21.31	8.06	6							
10	26.69	10.75	6								
2	1.00" Code 61	5.63	—	2	2.81	3/8"-16 NC	2.88	1.38	1.75	2.50	3.00
3		8.50	—	4							
4		11.38	—	4							
6		17.13	5.75	6							
8		22.88	8.63	6							
10	28.63	11.50	6								
2	1.25" Code 61	6.50	—	2	3.25	7/16"-14 NC	3.25	1.63	2.00	3.00	3.50
3		9.75	—	4							
4		13.00	—	4							
6		19.50	6.50	6							
8		26.00	9.75	6							
10	32.50	13.00	6								
2	1.50" Code 61	7.56	—	2	3.78	1/2"-13 NC	3.82	1.88	3.00	4.00	4.00
3		11.38	—	4							
4		15.19	—	4							
6		22.81	7.63	6							
8		30.44	11.44	6							
2	2.00" Code 61	8.13	—	2	4.06	1/2"-13 NC	4.13	2.00	3.00	4.00	4.00
3		12.25	—	4							
4		16.38	—	4							
6		24.63	8.25	6							

Code 62 Run Junction Blocks *(Work Ports Connected)*

3068 - X - X X



Material:
S = C1018 Steel
SS = 316 Stainless



Pressure Ratings:
6000 PSI in C1018 Steel
6000 PSI in 316L Stainless

No. of Stations	Work Port Size	L	A	BB	C	D	J	E	F	G1	H
2	3/4" Code 62	6.00	—	—	3.00	3/8"-16 NC	3.00	1.50	1.75	1.00	3.00
3		9.00	—	2							
4		12.00	—	2							
6		18.00	6.00	3							
8		24.00	9.00	3							
10		30.00	12.00	3							
2	1.00" Code 62	6.50	—	—	3.25	7/16"-14 NC	3.25	1.63	2.63	1.25	3.50
3		9.75	—	2							
4		13.00	—	2							
6		19.50	6.50	3							
8		26.00	7.75	3							
10		32.50	13.00	3							
2	1.25" Code 62	7.88	—	—	3.94	1/2"-13 NC	3.88	2.00	3.00	1.50	4.00
3		11.75	—	2							
4		15.63	—	2							
6		23.38	7.75	3							
8		31.13	11.63	3							
10		38.88	15.50	3							
2	1.50" Code 62	9.13	—	—	4.56	5/8"-11 NC	4.63	2.25	3.25	2.00	4.50
3		13.75	—	2							
4		18.38	—	2							
6		27.63	9.25	3							
8		36.88	13.88	3							
2		2.00" Code 62	10.63	—							
3	16.00		—	2							
4	21.38		—	2							
6	32.13		10.75	3							

Code 62 Elbow Junction Blocks (Work Ports Connected)

3072 - X - X X

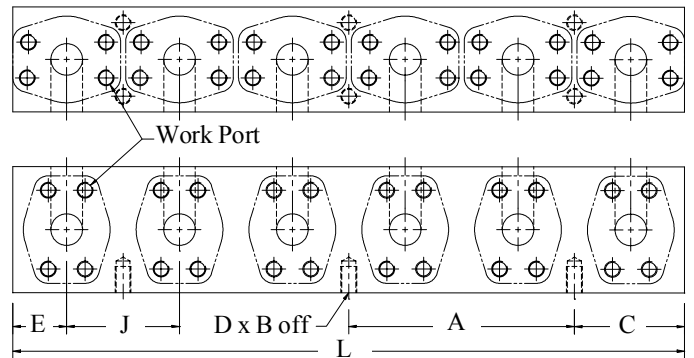
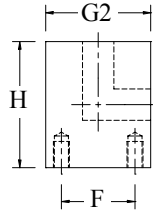
of Stations

Work Port Size

Material:

S = C1018 Steel

SS = 316 Stainless



Pressure Ratings:

6000 PSI in C1018 Steel

6000 PSI in 316L Stainless

No. of Stations	Work Port Size	L	A	B	C	D	J	E	F	G2	H
2	3/4" Code 62	6.00	—	2	3.00	3/8"-16 NC	3.00	1.50	1.75	2.50	3.00
3		9.00	—	4							
4		12.00	—	4							
6		18.00	6.00	6							
8		24.00	9.00	6							
10	30.00	12.00	6								
2	1.00" Code 62	6.50	—	2	3.25	7/16"-14 NC	3.25	1.63	2.63	3.50	3.50
3		9.75	—	4							
4		13.00	—	4							
6		19.50	6.50	6							
8		26.00	7.75	6							
10	32.50	13.00	6								
2	1.25" Code 62	7.88	—	2	3.94	1/2"-13 NC	3.88	2.00	3.00	4.00	4.00
3		11.75	—	4							
4		15.63	—	4							
6		23.38	7.75	6							
8		31.13	11.63	6							
10	38.88	15.50	6								
2	1.50" Code 62	9.13	—	2	4.56	5/8"-11 NC	4.63	2.25	3.25	4.50	4.50
3		13.75	—	4							
4		18.38	—	4							
6		27.63	9.25	6							
8		36.88	13.88	6							
2	2.00" Code 62	10.63	—	2	5.31	3/4"-10 NC	5.38	2.63	3.00	4.50	5.25
3		16.00	—	4							
4		21.38	—	4							
6		32.13	10.75	6							

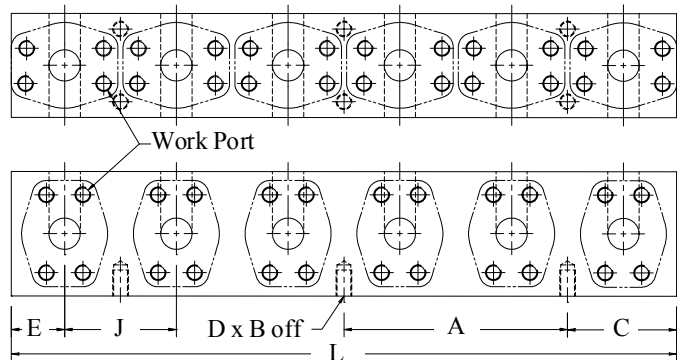
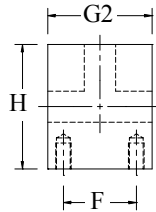
Code 62 Tee Junction Blocks (*Work Ports Connected*)

3076 - X - X X

of Stations

Work Port Size

Material:
S = C1018 Steel
SS = 316 Stainless



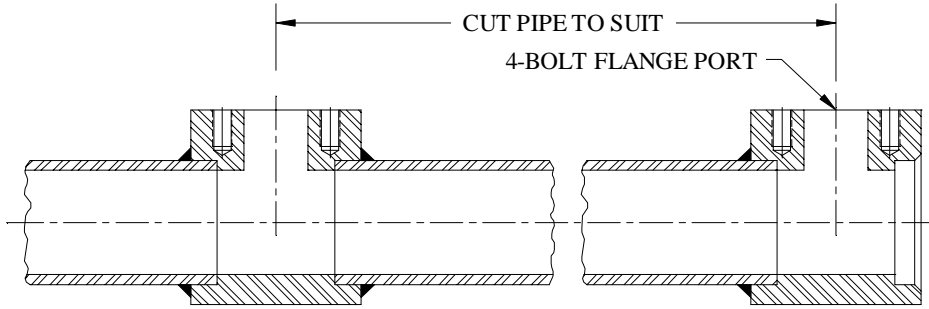
Pressure Ratings:

6000 PSI in C1018 Steel

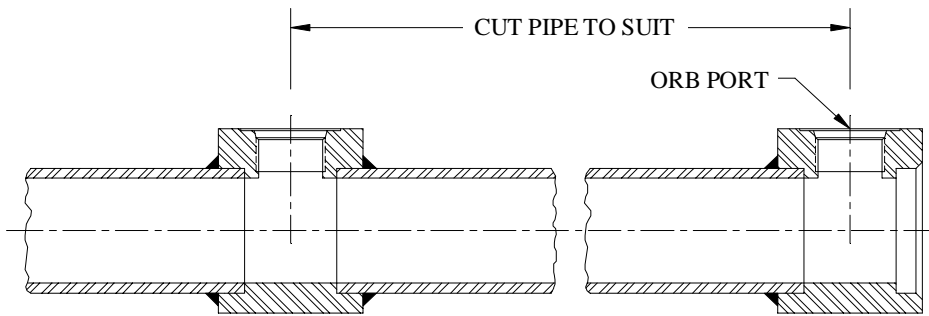
6000 PSI in 316L Stainless

No. of Stations	Work Port Size	L	A	B	C	D	J	E	F	G2	H
2	3/4" Code 62	6.00	—	2	3.00	3/8"-16 NC	3.00	1.50	1.75	2.50	3.00
3		9.00	—	4							
4		12.00	—	4							
6		18.00	6.00	6							
8		24.00	9.00	6							
10	30.00	12.00	6								
2	1.00" Code 62	6.50	—	2	3.25	7/16"-14 NC	3.25	1.63	2.63	3.50	3.50
3		9.75	—	4							
4		13.00	—	4							
6		19.50	6.50	6							
8		26.00	7.75	6							
10	32.50	13.00	6								
2	1.25" Code 62	7.88	—	2	3.94	1/2"-13 NC	3.88	2.00	3.00	4.00	4.00
3		11.75	—	4							
4		15.63	—	4							
6		23.38	7.75	6							
8		31.13	11.63	6							
10	38.88	15.50	6								
2	1.50" Code 62	9.13	—	2	4.56	5/8"-11 NC	4.63	2.25	3.25	4.50	4.50
3		13.75	—	4							
4		18.38	—	4							
6		27.63	9.25	6							
8		36.88	13.88	6							
2	2.00" Code 62	10.63	—	2	5.31	3/4"-10 NC	5.38	2.63	3.00	4.50	5.25
3		16.00	—	4							
4		21.38	—	4							
6		32.13	10.75	6							

Alternative Methods for Long Run Headers



Part No. 1865-XX-XX-XX (Socket Weld Pipe on the run and Code 61 companion flange on the branch)
Part No. 1879-XX-XX-XX (Socket Weld Pipe on the run and Code 62 companion flange on the branch)



Part No. 2058-XX-XX-XX (Socket Weld Pipe on the run and ORB female on the branch)

Tee – SWP / ORB / SWP

Part No.	Socket Weld Pipe	Female ORB	Socket Weld Pipe
2058-12-08-12	3/4	#8 (3/4"-16)	3/4
2058-12-12-12	3/4	#12 (1-1/16"-12)	3/4
2058-16-08-16	1	#8 (3/4"-16)	1
2058-16-12-16	1	#12 (1-1/16"-12)	1
2058-16-16-16	1	#16 (1-5/16"-12)	1
2058-20-12-20	1-1/4	#12 (1-1/16"-12)	1-1/4
2058-20-16-20	1-1/4	#16 (1-5/16"-12)	1-1/4
2058-20-20-20	1-1/4	#20 (1-5/8"-12)	1-1/4
2058-24-12-24	1-1/2	#12 (1-1/16"-12)	1-1/2
2058-24-16-24	1-1/2	#16 (1-5/16"-12)	1-1/2
2058-24-20-24	1-1/2	#20 (1-5/8"-12)	1-1/2
2058-32-12-32	2	#12 (1-1/16"-12)	2
2058-32-16-32	2	#16 (1-5/16"-12)	2
2058-32-20-32	2	#20 (1-5/8"-12)	2
2058-40-16-40	2-1/2	#16 (1-5/16"-12)	2-1/2
2058-40-20-40	2-1/2	#20 (1-5/8"-12)	2-1/2
2058-48-16-48	3	#16 (1-5/16"-12)	3
2058-48-20-48	3	#20 (1-5/8"-12)	3
2058-64-16-64	4	#16 (1-5/16"-12)	4
2058-64-20-64	4	#20 (1-5/8"-12)	4

4-Bolt Flange Tee – SWP / Companion / SWP

Code 61 Part No.	Code 62 Part No.	Socket Weld Pipe	4-Bolt Flange	Socket Weld Pipe
1865-12-12-12	1879-12-12-12	3/4	0.75	3/4
1865-16-12-12	1879-16-12-12	3/4	1.00	3/4
1865-16-16-16	1879-16-16-16	1	1.00	1
1865-20-16-16	1879-20-16-16	1	1.25	1
1865-20-20-20	1879-20-20-20	1-1/4	1.25	1-1/4
1865-24-20-20	1879-24-20-20	1-1/4	1.50	1-1/4
1865-24-24-24	1879-24-24-24	1-1/2	1.50	1-1/2
1865-32-24-24	1879-32-24-24	1-1/2	2.00	1-1/2
1865-32-32-32	1879-32-32-32	2	2.00	2

PLEASE NOTE:

These are just a few of the many ways to make long run pipe headers. Because your pipe is welded all around as opposed to just one side as you would do with a weld-o-let or saddle flange, there will be less distortion and your pipe will remain virtually straight even after welding.