



## Code 62 4-Bolt Flanges

O'Ring Boss

National Pipe Thread

Socket Weld Pipe

Socket Weld Tube

Butt Weld Pipe

Cover Plates

Union Plates

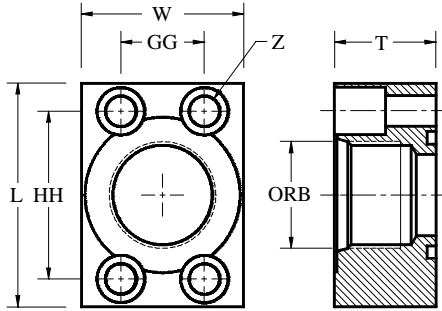
Gage Blocks

Transitions

Blanking Plates



## O'Ring Boss (ORB) / Code 62 Flange

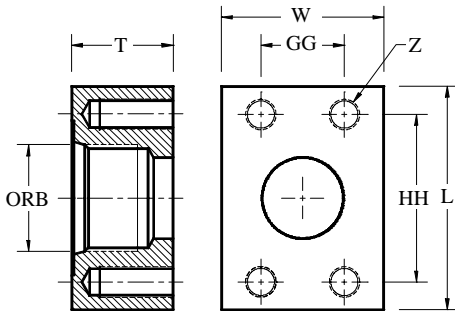


Socket Head Mounting Kit Supplied

### ORB / Code 62 O'Ring Face Flange

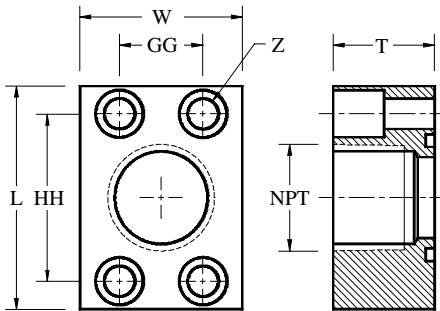
Code 62 Part No.	ORB Size	Flange Size	Z	GG	HH	W	L	T
1856-08-08	#8 (3/4"-16)	1/2"	11/32	0.718	1.574	1.75	2.22	1.00
1856-12-12	#12 (1-1/16"-12)	3/4"	13/32	0.937	2.000	2.00	2.81	1.00
1856-12-16	#12 (1-1/16"-12)	1.00"	15/32	1.093	2.250	2.50	3.19	1.25
1856-16-16	#16 (1-5/16"-12)	1.00"	15/32	1.093	2.250	2.50	3.19	1.25
1856-16-20	#16 (1-5/16"-12)	1.25"	17/32	1.250	2.625	3.00	3.75	1.25
1856-20-20	#20 (1-5/8"-12)	1.25"	17/32	1.250	2.625	3.00	3.75	1.25
1856-20-24	#20 (1-5/8"-12)	1.50"	21/32	1.437	3.125	3.50	4.44	1.50
1856-24-24	#24 (1-7/8"-12)	1.50"	21/32	1.437	3.125	3.50	4.44	1.50
1856-24-32	#24 (1-7/8"-12)	2.00"	25/32	1.750	3.812	4.00	5.25	1.50
1856-32-32	#32 (2.50"-12)	2.00"	25/32	1.750	3.812	4.00	5.25	1.50

### ORB / Code 62 Companion Face Flange



Code 62 Part No.	ORB Size	Flange Size	Z	GG	HH	W	L	T
1855-08-08	#8 (3/4"-16)	1/2"	5/16"-18	0.718	1.574	1.75	2.22	1.00
1855-12-12	#12 (1-1/16"-12)	3/4"	3/8"-16	0.937	2.000	2.00	2.81	1.00
1855-12-16	#12 (1-1/16"-12)	1.00"	7/16"-14	1.093	2.250	2.50	3.19	1.25
1855-16-16	#16 (1-5/16"-12)	1.00"	7/16"-14	1.093	2.250	2.50	3.19	1.25
1855-16-20	#16 (1-5/16"-12)	1.25"	1/2"-13	1.250	2.625	3.00	3.75	1.25
1855-20-20	#20 (1-5/8"-12)	1.25"	1/2"-13	1.250	2.625	3.00	3.75	1.25
1855-20-24	#20 (1-5/8"-12)	1.50"	5/8"-11	1.437	3.125	3.50	4.44	1.50
1855-24-24	#24 (1-7/8"-12)	1.50"	5/8"-11	1.437	3.125	3.50	4.44	1.50
1855-24-32	#24 (1-7/8"-12)	2.00"	3/4"-10	1.750	3.812	4.00	5.25	1.50
1855-32-32	#32 (2.50"-12)	2.00"	3/4"-10	1.750	3.812	4.00	5.25	1.50

## National Pipe Thread (NPT) / Code 62 Flange

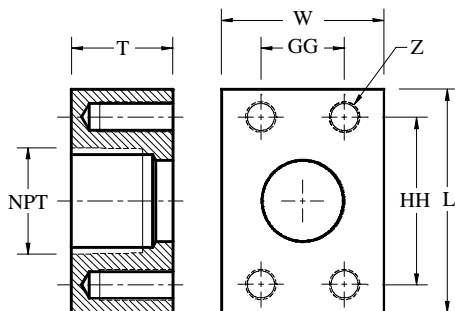


Socket Head Mounting Kit Supplied

### NPT / Code 62 O'Ring Face Flange

Code 62 Part No.	NPT Size	Flange Size	Z	GG	HH	W	L	T
1858-08-08	1/2"-14	1/2"	11/32	0.718	1.574	1.75	2.22	1.00
1858-12-12	3/4"-14	3/4"	13/32	0.937	2.000	2.00	2.81	1.00
1858-12-16	3/4"-14	1.00"	15/32	1.093	2.250	2.50	3.19	1.25
1858-16-16	1"-11.5	1.00"	15/32	1.093	2.250	2.50	3.19	1.25
1858-16-20	1"-11.5	1.25"	17/32	1.250	2.625	3.00	3.75	1.25
1858-20-20	1.25"-11.5	1.25"	17/32	1.250	2.625	3.00	3.75	1.25
1858-20-24	1.25"-11.5	1.50"	21/32	1.437	3.125	3.50	4.44	1.50
1858-24-24	1.50"-11.5	1.50"	21/32	1.437	3.125	3.50	4.44	1.50
1858-24-32	1.50"-11.5	2.00"	25/32	1.750	3.812	4.00	5.25	1.50
1858-32-32	2.00"-11.5	2.00"	25/32	1.750	3.812	4.00	5.25	1.50

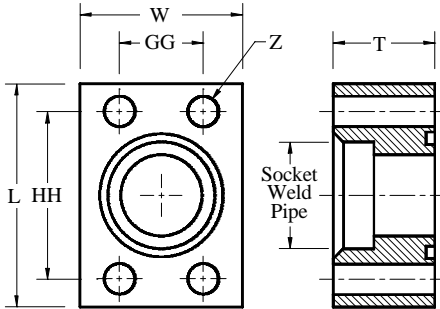
### NPT / Code 62 Companion Face Flange



Code 62 Part No.	NPT Size	Flange Size	Z	GG	HH	W	L	T
1857-08-08	1/2"-14	1/2"	5/16"-18	0.718	1.574	1.75	2.22	1.00
1857-12-12	3/4"-14	3/4"	3/8"-16	0.937	2.000	2.00	2.81	1.00
1857-12-16	3/4"-14	1.00"	7/16"-14	1.093	2.250	2.50	3.19	1.25
1857-16-16	1"-11.5	1.00"	7/16"-14	1.093	2.250	2.50	3.19	1.25
1857-16-20	1"-11.5	1.25"	1/2"-13	1.250	2.625	3.00	3.75	1.25
1857-20-20	1.25"-11.5	1.25"	1/2"-13	1.250	2.625	3.00	3.75	1.25
1857-20-24	1.25"-11.5	1.50"	5/8"-11	1.437	3.125	3.50	4.44	1.50
1857-24-24	1.50"-11.5	1.50"	5/8"-11	1.437	3.125	3.50	4.44	1.50
1857-24-32	1.50"-11.5	2.00"	3/4"-10	1.750	3.812	4.00	5.25	1.50
1857-32-32	2.00"-11.5	2.00"	3/4"-10	1.750	3.812	4.00	5.25	1.50

## Socket Weld Pipe (SWP) / Code 62 Flange

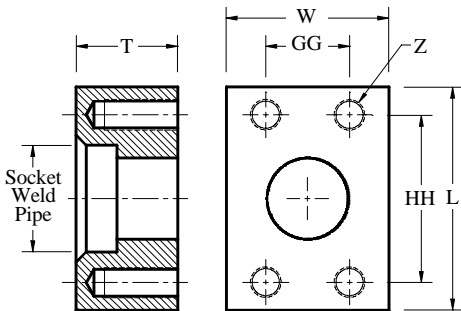
### SWP / Code 62 O'Ring Face Flange



Hex Head Mounting Kit Supplied

Code 62 Part No.	SWP Size	Flange Size	Z	GG	HH	W	L	T
1852-08-08	1/2" (0.845)	1/2"	11/32	0.718	1.574	1.75	2.22	1.00
1852-12-12	3/4" (1.055)	3/4"	13/32	0.937	2.000	2.00	2.81	1.00
1852-12-16	3/4" (1.055)	1.00"	15/32	1.093	2.250	2.50	3.19	1.25
1852-16-16	1.00" (1.320)	1.00"	15/32	1.093	2.250	2.50	3.19	1.25
1852-16-20	1.00" (1.320)	1.25"	17/32	1.250	2.625	3.00	3.75	1.25
1852-20-20	1.25" (1.670)	1.25"	17/32	1.250	2.625	3.00	3.75	1.25
1852-20-24	1.25" (1.670)	1.50"	21/32	1.437	3.125	3.50	4.44	1.50
1852-24-24	1.50" (1.910)	1.50"	21/32	1.437	3.125	3.50	4.44	1.50
1852-24-32	1.50" (1.910)	2.00"	25/32	1.750	3.812	4.00	5.25	1.50
1852-32-32	2.00" (2.385)	2.00"	25/32	1.750	3.812	4.00	5.25	1.50

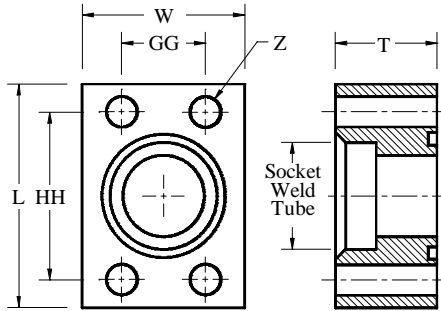
### SWP / Code 62 Companion Face Flange



Code 62 Part No.	SWP Size	Flange Size	Z	GG	HH	W	L	T
1851-08-08	1/2" (0.845)	1/2"	5/16"-18	0.718	1.574	1.75	2.22	1.00
1851-12-12	3/4" (1.055)	3/4"	3/8"-16	0.937	2.000	2.00	2.81	1.00
1851-12-16	3/4" (1.055)	1.00"	7/16"-14	1.093	2.250	2.50	3.19	1.25
1851-16-16	1.00" (1.320)	1.00"	7/16"-14	1.093	2.250	2.50	3.19	1.25
1851-16-20	1.00" (1.320)	1.25"	1/2"-13	1.250	2.625	3.00	3.75	1.25
1851-20-20	1.25" (1.670)	1.25"	1/2"-13	1.250	2.625	3.00	3.75	1.25
1851-20-24	1.25" (1.670)	1.50"	5/8"-11	1.437	3.125	3.50	4.44	1.50
1851-24-24	1.50" (1.910)	1.50"	5/8"-11	1.437	3.125	3.50	4.44	1.50
1851-24-32	1.50" (1.910)	2.00"	3/4"-10	1.750	3.812	4.00	5.25	1.50
1851-32-32	2.00" (2.385)	2.00"	3/4"-10	1.750	3.812	4.00	5.25	1.50

## Socket Weld Tube (SWT) / Code 62 Flange

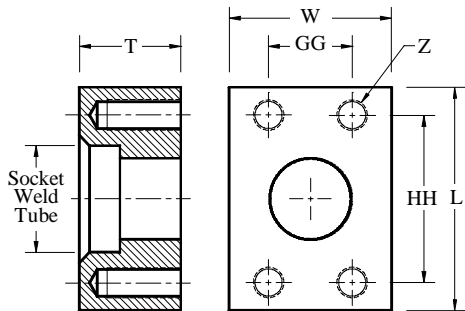
### SWT / Code 62 O'Ring Face Flange



Hex Head Mounting Kit Supplied

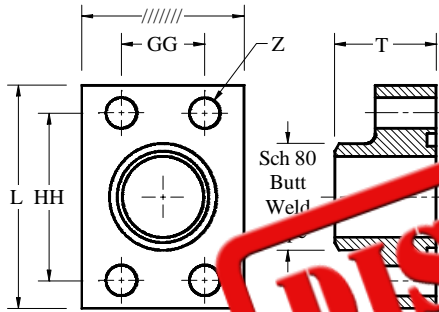
Code 62 Part No.	SWT Size	Flange Size	Z	GG	HH	W	L	T
1854-08-08	1/2" (0.505)	1/2"	11/32	0.718	1.574	1.75	2.22	1.00
1854-10-08	5/8" (0.630)	1/2"	11/32	0.718	1.574	1.75	2.22	1.00
1854-12-12	3/4" (0.755)	3/4"	13/32	0.937	2.000	2.00	2.81	1.00
1854-16-12	1.00" (1.005)	3/4"	13/32	0.937	2.000	2.00	2.81	1.00
1854-16-16	1.00" (1.005)	1.00"	15/32	1.093	2.250	2.50	3.19	1.25
1854-20-16	1.25" (1.255)	1.00"	15/32	1.093	2.250	2.50	3.19	1.25
1854-20-20	1.25" (1.255)	1.25"	17/32	1.250	2.625	3.00	3.75	1.25
1854-24-20	1.50" (1.510)	1.25"	17/32	1.250	2.625	3.00	3.75	1.25
1854-24-24	1.50" (1.510)	1.50"	21/32	1.437	3.125	3.50	4.44	1.50
1854-28-24	1.75" (1.760)	1.50"	21/32	1.437	3.125	3.50	4.44	1.50
1854-32-24	2.00" (2.010)	1.50"	21/32	1.437	3.125	3.50	4.44	1.50
1854-32-32	2.00" (2.010)	2.00"	25/32	1.750	3.812	4.00	5.25	1.50

### SWT / Code 62 Companion Face Flange



Code 62 Part No.	SWT Size	Flange Size	Z	GG	HH	W	L	T
1853-08-08	1/2" (0.505)	1/2"	5/16"-18	0.718	1.574	1.75	2.22	1.00
1853-10-08	5/8" (0.630)	1/2"	5/16"-18	0.718	1.574	1.75	2.22	1.00
1853-12-12	3/4" (0.755)	3/4"	3/8"-16	0.937	2.000	2.00	2.81	1.00
1853-16-12	1.00" (1.005)	3/4"	3/8"-16	0.937	2.000	2.00	2.81	1.00
1853-16-16	1.00" (1.005)	1.00"	7/16"-14	1.093	2.250	2.50	3.19	1.25
1853-20-16	1.25" (1.255)	1.00"	7/16"-14	1.093	2.250	2.50	3.19	1.25
1853-20-20	1.25" (1.255)	1.25"	1/2"-13	1.250	2.625	3.00	3.75	1.25
1853-24-20	1.50" (1.510)	1.25"	1/2"-13	1.250	2.625	3.00	3.75	1.25
1853-24-24	1.50" (1.510)	1.50"	5/8"-11	1.437	3.125	3.50	4.44	1.50
1853-28-24	1.75" (1.760)	1.50"	5/8"-11	1.437	3.125	3.50	4.44	1.50
1853-32-24	2.00" (2.010)	1.50"	5/8"-11	1.437	3.125	3.50	4.44	1.50
1853-32-32	2.00" (2.010)	2.00"	3/4"-10	1.750	3.812	4.00	5.25	1.50

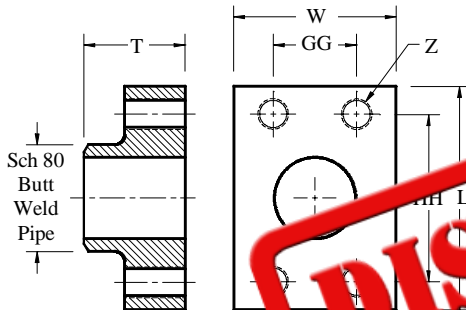
## Sch 80 Butt Weld Pipe (BWP) / Code 62 Flange



Sch 80 Butt Weld Pipe / Code 62 O'Ring Face Flange

Code 62 Part No.	BWP Size	Flange Size	GG	HH	W	L	T
3245-08	1/2" Sch 80	1/2"	11/32	0.718	1.574	1.75	1.25
3245-12-12	3/4" Sch 80	3/4"	13/32	0.937	2.000	2.00	1.25
3245-16	1.00" Sch 80	1.00"	15/32	1.093	2.250	2.50	1.50
3245-20	1.25" Sch 80	1.25"	17/32	1.250	2.625	3.00	1.50
3245-24-24	1.50" Sch 80	1.50"	21/32	1.437	3.125	3.50	1.75
3245-32	2.00" Sch 80	2.00"	25/32	1.750	3.812	4.00	1.75

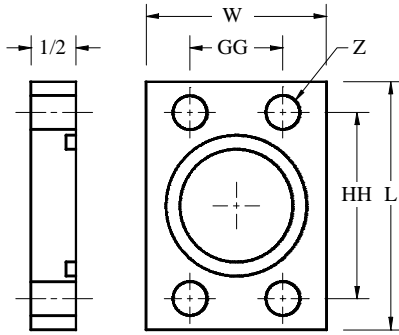
Hex Head Mounting Surfaces



Sch 80 Butt Weld Pipe / Code 62 Companion Face Flange

Code 62 Part No.	BWP Size	Flange Size	GG	HH	W	L	T
2346-08	1/2" Sch 80	1/2"	5/16"	0.718	1.574	1.75	1.25
2346-12-12	3/4" Sch 80	3/4"	3/8"-16	0.937	2.000	2.00	1.25
2346-16	1.00" Sch 80	1.00"	1/2"-14	1.093	2.250	2.50	1.50
2346-20	1.25" Sch 80	1.25"	1/2"-13	1.250	2.625	3.00	1.50
2346-24-24	1.50" Sch 80	1.50"	5/8"-11	1.437	3.125	3.50	1.75
2346-32	2.00" Sch 80	2.00"	3/4"-10	1.750	3.812	4.00	1.75

## Code 62 Blanking & Cover Plates

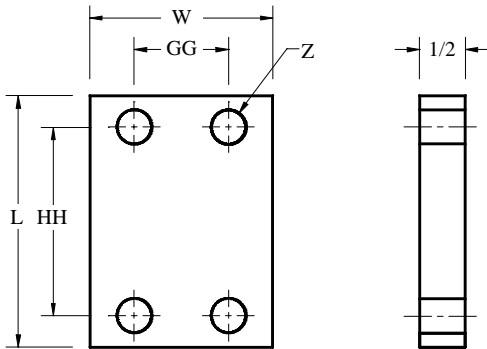


Hex Head Mounting Kit Supplied  
c/w O'Ring

### Code 62 O'Ring Face Blanking Plates

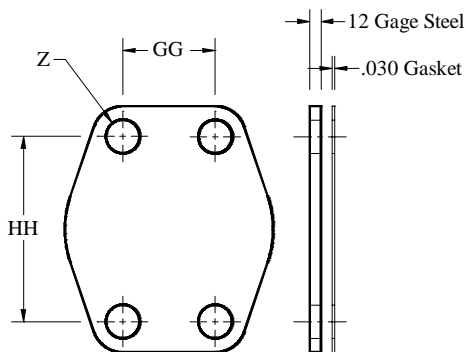
Code 62 Part No.	Flange Size	Z	GG	HH	W	L
3366-12	3/4"	13/32	0.937	2.000	2.00	2.81
3366-16	1.00"	15/32	1.093	2.250	2.50	3.19
3366-20	1.25"	17/32	1.250	2.625	3.00	3.75
3366-24	1.50"	21/32	1.437	3.125	3.50	4.44
3366-32	2.00"	25/32	1.750	3.812	4.00	5.25

For O'Ring Head Style Blanking Plugs, See Part No. 1646-Size



### Code 62 Flat Face Blanking Plates

Code 62 Part No.	Flange Size	Z	GG	HH	W	L
1881-12	3/4"	13/32	0.937	2.000	2.00	2.81
1881-16	1.00"	15/32	1.093	2.250	2.50	3.19
1881-20	1.25"	17/32	1.250	2.625	3.00	3.75
1881-24	1.50"	21/32	1.437	3.125	3.50	4.44
1881-32	2.00"	25/32	1.750	3.812	4.00	5.25

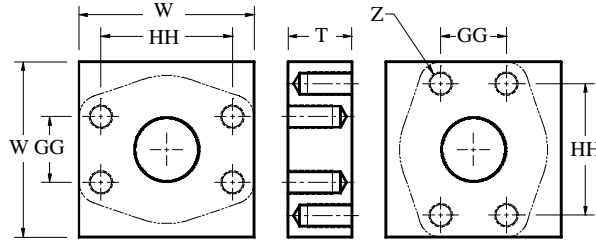


Hex Head Mounting Kit Supplied

### Code 62 Protective Cover Plates

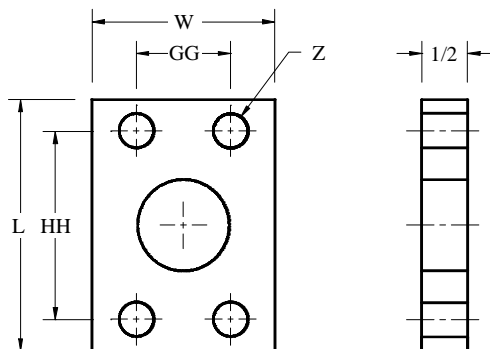
Code 62 Part No.	Flange Size	Z	GG	HH
3274-12	3/4"	13/32	0.937	2.000
3274-16	1.00"	15/32	1.093	2.250
3274-20	1.25"	17/32	1.250	2.625
3274-24	1.50"	21/32	1.437	3.125
3274-32	2.00"	25/32	1.750	3.812

## Code 62 Union Plates



### Code 62 Companion Union Plates

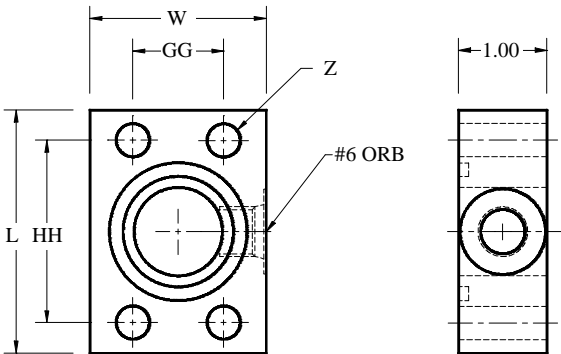
Code 62 Part No.	Flange Size	Z	GG	HH	W	T
3368-12-12	3/4"	3/8"-16	0.937	2.000	2.88	1.00
3368-16-16	1.00"	7/16"-14	1.093	2.250	3.25	1.25
3368-20-20	1.25"	1/2"-13	1.250	2.625	3.75	1.50
3368-24-24	1.50"	5/8"-11	1.437	3.125	4.50	1.50
3368-32-32	2.00"	3/4"-10	1.750	2.812	5.25	1.50



### Code 62 Sandwich Union Plates

Code 62 Part No.	Flange Size	Z	GG	HH	W	L
1859-12	3/4"	13/32	0.937	2.000	2.00	2.81
1859-16	1.00"	15/32	1.093	2.250	2.50	3.19
1859-20	1.25"	17/32	1.250	2.625	3.00	3.75
1859-24	1.50"	21/32	1.437	3.125	3.50	4.44
1859-32	2.00"	25/32	1.750	3.812	4.00	5.25

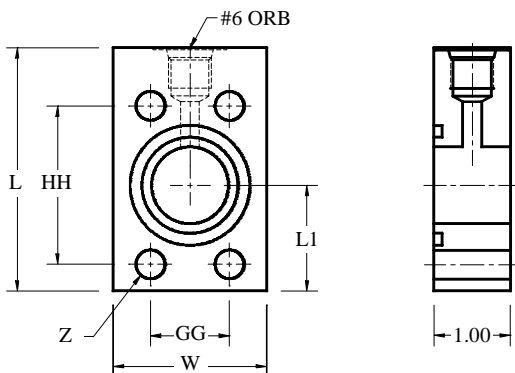
## Code 62 Sandwich Style Gage Blocks



All sandwich style gage blocks come with #6 ORB side port and are 1.00" thick c/w O'Ring

Code 62 Sandwich Style Gage Blocks

Code 62 Part No.	Flange Size	Z	GG	HH	W	L
3047-12	3/4"	13/32	0.937	2.000	2.00	2.81
3047-16	1.00"	15/32	1.093	2.250	2.50	3.19
3047-20	1.25"	17/32	1.250	2.625	3.00	3.75
3047-24	1.50"	21/32	1.437	3.125	3.50	4.44
3047-32	2.00"	25/32	1.750	3.812	4.00	5.25

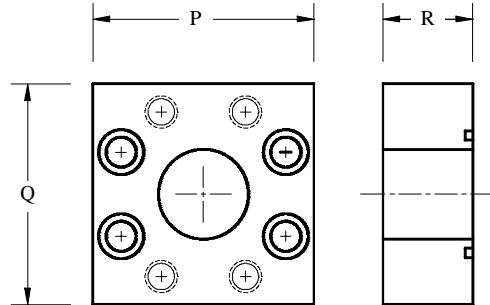
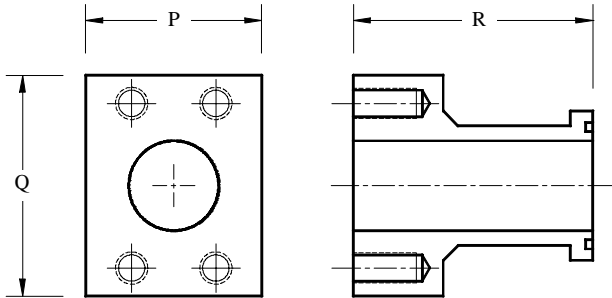


All sandwich style gage blocks come with #6 ORB side port and are 1.00" thick c/w O'Ring

Code 62 Sandwich Style Gage Blocks

Code 62 Part No.	Flange Size	Z	GG	HH	W	L	L1
3147-12	3/4"	13/32	0.937	2.000	2.00	3.31	1.41
3147-16	1.00"	15/32	1.093	2.250	2.50	3.56	1.59
3147-20	1.25"	17/32	1.250	2.625	3.00	4.00	1.88
3147-24	1.50"	21/32	1.437	3.125	3.50	4.44	2.22
3147-32	2.00"	25/32	1.750	3.812	4.00	5.25	2.63

## Code 62 Transition Flanges



### Code 62 Step-Up Transition

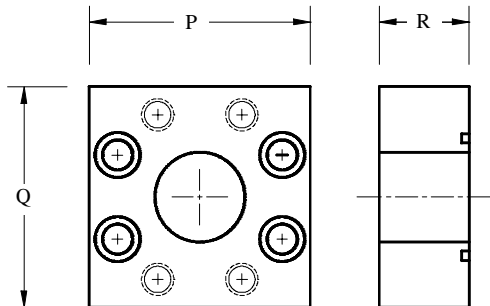
Part No.	Code 62 Comp	Code 62 'O'Ring	P	Q	R
1818-12-08	3/4"	1/2"	2.00	2.81	2.63
1818-16-12	1.00"	3/4"	2.50	3.19	2.75
1818-20-16	1.25"	1.00"	2.75	3.75	3.38
1818-24-20	1.50"	1.25"	3.00	4.44	3.63
1818-32-24	2.00"	1.50"	4.00	5.25	4.13

Split Flange Kit Required for mounting  
See part number 1825-SIZE

### Code 62 Step-Down & Orientation Transitions

Part No.	Code 62 Comp	Code 62 'O'Ring	P	Q	R
1818-08-08	1/2"	1/2"	2.50	2.25	0.75
1818-08-12	1/2"	3/4"	3.00	2.22	0.75
1818-12-12	3/4"	3/4"	3.00	2.81	0.75
1818-12-16	3/4"	1.00"	3.19	3.00	1.00
1818-16-16	1.00"	1.00"	3.50	3.19	1.00
1818-12-20	3/4"	1.25"	4.00	2.88	1.00
1818-16-20	1.00"	1.25"	4.00	3.19	1.00
1818-20-20	1.25"	1.25"	4.00	3.75	1.00
1818-16-24	1.00"	1.50"	4.50	3.19	1.50
1818-20-24	1.25"	1.50"	4.50	4.00	1.50
1818-24-24	1.50"	1.50"	4.50	4.44	1.50
1818-20-32	1.25"	2.00"	5.25	3.75	1.50
1818-24-32	1.50"	2.00"	5.25	5.00	1.50
1818-32-32	2.00"	2.00"	5.25	5.25	1.50

Socket Head Mounting Kit Supplied



### Code 62 / Code 61 Transition

Part No.	Code 61 Comp	Code 62 'O'Ring	P	Q	R
1814-08-08	1/2"	1/2"	2.50	2.13	0.75
1814-12-12	3/4"	3/4"	2.81	2.50	0.75
1814-16-16	1.00"	1.00"	3.19	3.00	1.00
1814-20-20	1.25"	1.25"	3.75	3.00	1.00
1814-24-24	1.50"	1.50"	4.50	4.00	1.50
1814-32-32	2.00"	2.00"	5.25	4.00	1.50

Socket Head Mounting Kit Supplied

For Code 61 Transitions See Page 42-10