



Code 61 4-Bolt Elbows

O'Ring Boss

National Pipe Thread

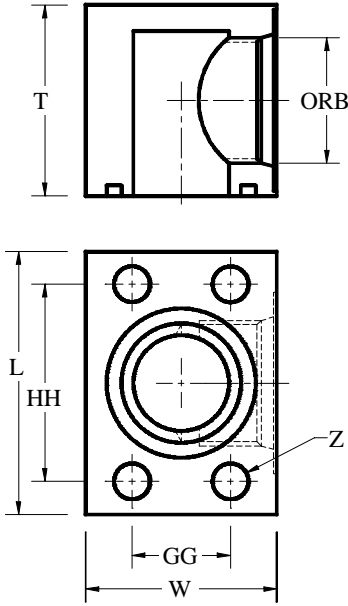
Socket Weld Pipe

Socket Weld Tube

4-Bolt Flange



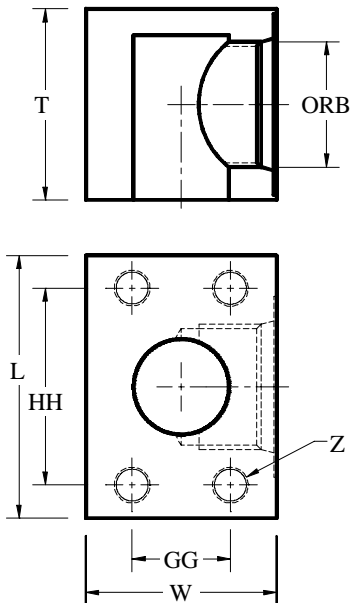
O'Ring Boss (ORB) / Code 61 Elbow



O'Ring Boss (ORB) / Code 61 O'Ring Face Elbow

Code 61 Part No.	ORB Size	Flange Size	Z	GG	HH	W	L	T
1815-08-08	#8 (3/4"-16)	1/2"	11/32	0.688	1.500	1.50	2.19	1.50
1815-12-12	#12 (1-1/16"-12)	3/4"	13/32	0.875	1.875	1.75	2.63	1.75
1815-12-16	#12 (1-1/16"-12)	1.00"	13/32	1.031	2.062	2.00	2.81	2.00
1815-16-16	#16 (1-5/16"-12)	1.00"	13/32	1.031	2.602	2.00	2.81	2.00
1815-16-20	#16 (1-5/16"-12)	1.25"	15/32	1.188	2.312	2.50	3.19	2.50
1815-20-20	#20 (1-5/8"-12)	1.25"	15/32	1.188	2.312	2.50	3.19	2.50
1815-20-24	#20 (1-5/8"-12)	1.50"	17/32	1.406	2.750	3.00	3.69	3.00
1815-24-24	#24 (1-7/8"-12)	1.50"	17/32	1.406	2.750	3.00	3.69	3.00
1815-24-32	#24 (1-7/8"-12)	2.00"	17/32	1.688	3.062	3.50	4.00	3.50
1815-32-32	#32 (2.50"-12)	2.00"	17/32	1.688	3.062	3.50	4.00	3.50
1815-32-40	#32 (2.50"-12)	2.50"	17/32	2.000	3.500	4.00	4.50	4.00

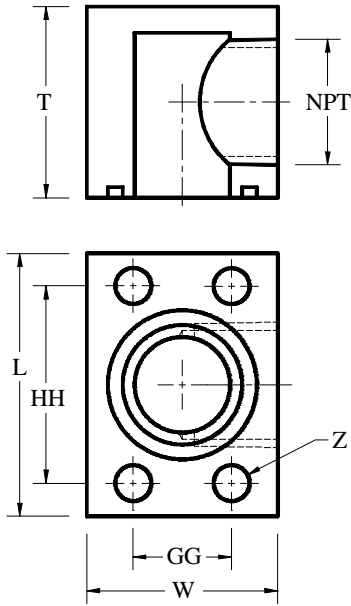
c/w Hex Head Mounting Kit



O'Ring Boss (ORB) / Code 61 Companion Face Elbow

Code 61 Part No.	ORB Size	Flange Size	Z	GG	HH	W	L	T
1817-08-08	#8 (3/4"-16)	1/2"	5/16"-18	0.688	1.500	1.50	2.19	1.50
1817-12-12	#12 (1-1/16"-12)	3/4"	3/8"-16	0.875	1.875	1.75	2.63	1.75
1817-12-16	#12 (1-1/16"-12)	1.00"	3/8"-16	1.031	2.062	2.00	2.81	2.00
1817-16-16	#16 (1-5/16"-12)	1.00"	3/8"-16	1.031	2.602	2.00	2.81	2.00
1817-16-20	#16 (1-5/16"-12)	1.25"	7/16"-14	1.188	2.312	2.50	3.19	2.50
1817-20-20	#20 (1-5/8"-12)	1.25"	7/16"-14	1.188	2.312	2.50	3.19	2.50
1817-20-24	#20 (1-5/8"-12)	1.50"	1/2"-13	1.406	2.750	3.00	3.69	3.00
1817-24-24	#24 (1-7/8"-12)	1.50"	1/2"-13	1.406	2.750	3.00	3.69	3.00
1817-24-32	#24 (1-7/8"-12)	2.00"	1/2"-13	1.688	3.062	3.50	4.00	3.50
1817-32-32	#32 (2.50"-12)	2.00"	1/2"-13	1.688	3.062	3.50	4.00	3.50
1817-32-40	#32 (2.50"-12)	2.50"	1/2"-13	2.000	3.500	4.00	4.50	4.00

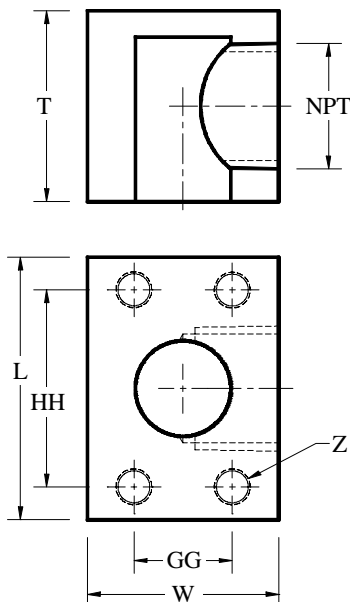
National Pipe Thread (NPT) / Code 61 Elbow



National Pipe Thread (NPT) / Code 61 O'Ring Face Elbow

Code 61 Part No.	NPT Size	Flange Size	Z	GG	HH	W	L	T
1833-08-08	1/2"-14	1/2"	11/32	0.688	1.500	1.50	2.19	1.50
1833-12-12	3/4"-14	3/4"	13/32	0.875	1.875	1.75	2.63	1.75
1833-12-16	3/4"-14	1.00"	13/32	1.031	2.062	2.00	2.81	2.00
1833-16-16	1"-11.5	1.00"	13/32	1.031	2.062	2.00	2.81	2.00
1833-16-20	1"-11.5	1.25"	15/32	1.188	2.312	2.50	3.19	2.50
1833-20-20	1.25"-11.5	1.25"	15/32	1.188	2.312	2.50	3.19	2.50
1833-20-24	1.25"-11.5	1.50"	17/32	1.406	2.750	3.00	3.69	3.00
1833-24-24	1.50"-11.5	1.50"	17/32	1.406	2.750	3.00	3.69	3.00
1833-24-32	1.50"-11.5	2.00"	17/32	1.688	3.062	3.50	4.00	3.50
1833-32-32	2.00"-11.5	2.00"	17/32	1.688	3.062	3.50	4.00	3.50
1833-32-40	2.00"-11.5	2.50"	17/32	2.000	3.500	4.00	4.50	4.00
1833-40-40	2.50"-8	2.50"	17/32	2.000	3.500	4.00	4.50	4.00
1833-48-48	3.00"-8	3.00"	21/32	2.438	4.188	4.50	5.31	4.50
1833-56-56	3.50"-8	3.50"	21/32	2.750	4.750	5.00	6.00	4.00
1833-64-64	4.00"-8	4.00"	21/32	3.062	5.125	6.00	6.38	6.00

c/w Hex Head Mounting Kit

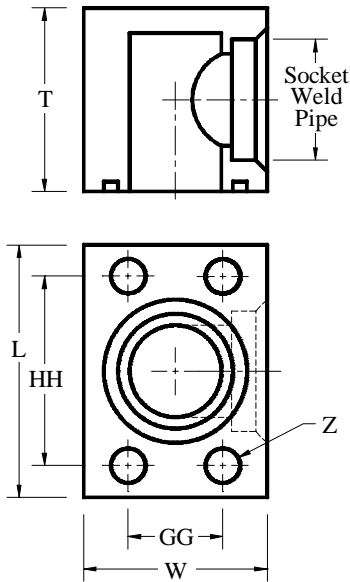


National Pipe Thread (NPT) / Code 61 Companion Face Elbow

Code 61 Part No.	NPT Size	Flange Size	Z	GG	HH	W	L	T
1835-08-08	1/2"-14	1/2"	5/16"-18	0.688	1.500	1.50	2.19	1.50
1835-12-12	3/4"-14	3/4"	3/8"-16	0.875	1.875	1.75	2.63	1.75
1835-12-16	3/4"-14	1.00"	3/8"-16	1.031	2.062	2.00	2.81	2.00
1835-16-16	1"-11.5	1.00"	3/8"-16	1.031	2.062	2.00	2.81	2.00
1835-16-20	1"-11.5	1.25"	7/16"-14	1.188	2.312	2.50	3.19	2.50
1835-20-20	1.25"-11.5	1.25"	7/16"-14	1.188	2.312	2.50	3.19	2.50
1835-20-24	1.25"-11.5	1.50"	1/2"-13	1.406	2.750	3.00	3.69	3.00
1835-24-24	1.50"-11.5	1.50"	1/2"-13	1.406	2.750	3.00	3.69	3.00
1835-24-32	1.50"-11.5	2.00"	1/2"-13	1.688	3.062	3.50	4.00	3.50
1835-32-32	2.00"-11.5	2.00"	1/2"-13	1.688	3.062	3.50	4.00	3.50
1835-32-40	2.00"-11.5	2.50"	1/2"-13	2.000	3.500	4.00	4.50	4.00
1835-40-40	2.50"-8	2.50"	1/2"-13	2.000	3.500	4.00	4.50	4.00
1835-48-48	3.00"-8	3.00"	5/8"-11	2.438	4.188	4.50	5.31	4.50
1835-56-56	3.50"-8	3.50"	5/8"-11	2.750	4.750	5.00	6.00	4.00
1835-64-64	4.00"-8	4.00"	5/8"-11	3.062	5.125	6.00	6.38	6.00

Socket Weld Pipe (SWP) / Code 61 Elbow

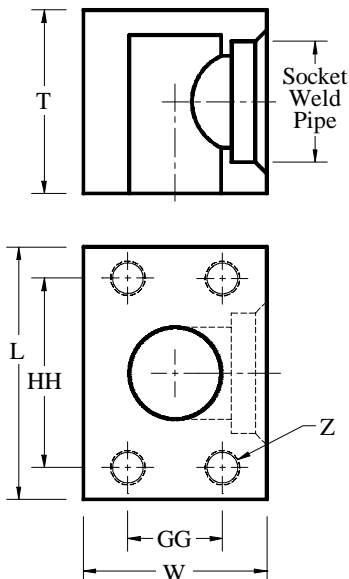
Socket Weld Pipe (SWP) / Code 61 O'Ring Face Elbow



Code 61 Part No.	SWP Size	Flange Size	Z	GG	HH	W	L	T
1824-08-08	1/2" (0.845)	1/2"	11/32	0.688	1.500	1.50	2.19	1.50
1824-12-12	3/4" (1.055)	3/4"	13/32	0.875	1.875	1.75	2.63	1.75
1824-12-16	3/4" (1.055)	1.00"	13/32	1.031	2.062	2.00	2.81	2.00
1824-16-16	1.00" (1.320)	1.00"	13/32	1.031	2.062	2.00	2.81	2.00
1824-16-20	1.00" (1.320)	1.25"	15/32	1.188	2.312	2.50	3.19	2.50
1824-20-20	1.25" (1.670)	1.25"	15/32	1.188	2.312	2.50	3.19	2.50
1824-20-24	1.25" (1.670)	1.50"	17/32	1.406	2.750	3.00	3.69	3.00
1824-24-24	1.50" (1.910)	1.50"	17/32	1.406	2.750	3.00	3.69	3.00
1824-24-32	1.50" (1.910)	2.00"	17/32	1.688	3.062	3.50	4.00	3.50
1824-32-32	2.00" (2.385)	2.00"	17/32	1.688	3.062	3.50	4.00	3.50
1824-32-40	2.00" (2.385)	2.50"	17/32	2.000	3.500	4.00	4.50	4.00
1824-40-40	2.50" (2.888)	2.50"	17/32	2.000	3.500	4.00	4.50	4.00
1824-48-48	3.00" (3.510)	3.00"	21/32	2.438	4.188	4.50	5.31	4.50
1824-56-56	3.50" (4.010)	3.50"	21/32	2.750	4.750	5.00	6.00	4.00
1824-64-64	4.00" (4.510)	4.00"	21/32	3.062	5.125	6.00	6.38	6.00

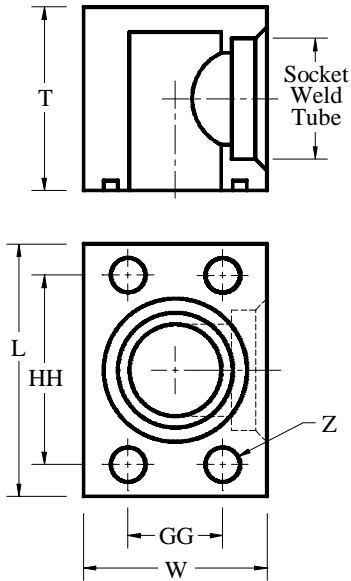
c/w Hex Head Mounting Kit

Socket Weld Pipe (SWP) / Code 61 Companion Face Elbow



Code 61 Part No.	SWP Size	Flange Size	Z	GG	HH	W	L	T
1808-08-08	1/2" (0.845)	1/2"	5/16"-18	0.688	1.500	1.50	2.19	1.50
1808-12-12	3/4" (1.055)	3/4"	3/8"-16	0.875	1.875	1.75	2.63	1.75
1808-12-16	3/4" (1.055)	1.00"	3/8"-16	1.031	2.062	2.00	2.81	2.00
1808-16-16	1.00" (1.320)	1.00"	3/8"-16	1.031	2.062	2.00	2.81	2.00
1808-16-20	1.00" (1.320)	1.25"	7/16"-14	1.188	2.312	2.50	3.19	2.50
1808-20-20	1.25" (1.670)	1.25"	7/16"-14	1.188	2.312	2.50	3.19	2.50
1808-20-24	1.25" (1.670)	1.50"	1/2"-13	1.406	2.750	3.00	3.69	3.00
1808-24-24	1.50" (1.910)	1.50"	1/2"-13	1.406	2.750	3.00	3.69	3.00
1808-24-32	1.50" (1.910)	2.00"	1/2"-13	1.688	3.062	3.50	4.00	3.50
1808-32-32	2.00" (2.385)	2.00"	1/2"-13	1.688	3.062	3.50	4.00	3.50
1808-32-40	2.00" (2.385)	2.50"	1/2"-13	2.000	3.500	4.00	4.50	4.00
1808-40-40	2.50" (2.888)	2.50"	1/2"-13	2.000	3.500	4.00	4.50	4.00
1808-48-48	3.00" (3.510)	3.00"	5/8"-11	2.438	4.188	4.50	5.31	4.50
1808-56-56	3.50" (4.010)	3.50"	5/8"-11	2.750	4.750	5.00	6.00	4.00
1808-64-64	4.00" (4.510)	4.00"	5/8"-11	3.062	5.125	6.00	6.38	6.00

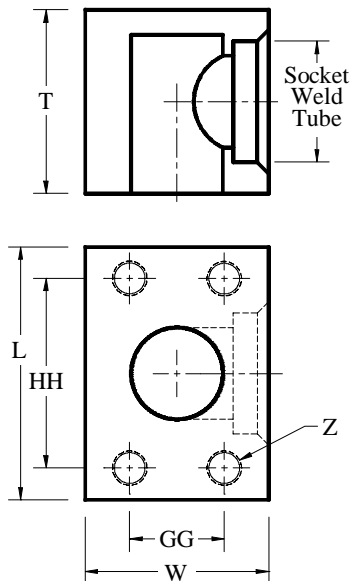
Socket Weld Tube (SWT) / Code 61 Elbow



Socket Weld Tube (SWT) / Code 61 O'Ring Face Elbow

Code 61 Part No.	SWT Size	Flange Size	Z	GG	HH	W	L	T
1829-08-08	1/2" (0.505)	1/2"	11/32	0.688	1.500	1.50	2.19	1.50
1829-12-12	3/4" (0.755)	3/4"	13/32	0.875	1.875	1.75	2.63	1.75
1829-12-16	3/4" (0.755)	1.00"	13/32	1.031	2.062	2.00	2.81	2.00
1829-16-16	1.00" (1.005)	1.00"	13/32	1.031	2.062	2.00	2.81	2.00
1829-16-20	1.00" (1.005)	1.25"	15/32	1.188	2.312	2.50	3.19	2.50
1829-20-20	1.25" (1.255)	1.25"	15/32	1.188	2.312	2.50	3.19	2.50
1829-20-24	1.25" (1.255)	1.50"	17/32	1.406	2.750	3.00	3.69	3.00
1829-24-24	1.50" (1.510)	1.50"	17/32	1.406	2.750	3.00	3.69	3.00
1829-28-24	1.75" (1.760)	1.50"	17/32	1.406	2.750	3.00	3.69	3.00
1829-24-32	1.50" (1.510)	2.00"	17/32	1.688	3.062	3.50	4.00	3.50
1829-28-32	1.75" (1.760)	2.00"	17/32	1.688	3.062	3.50	4.00	3.50
1829-32-32	2.00" (2.010)	2.00"	17/32	1.688	3.062	3.50	4.00	3.50

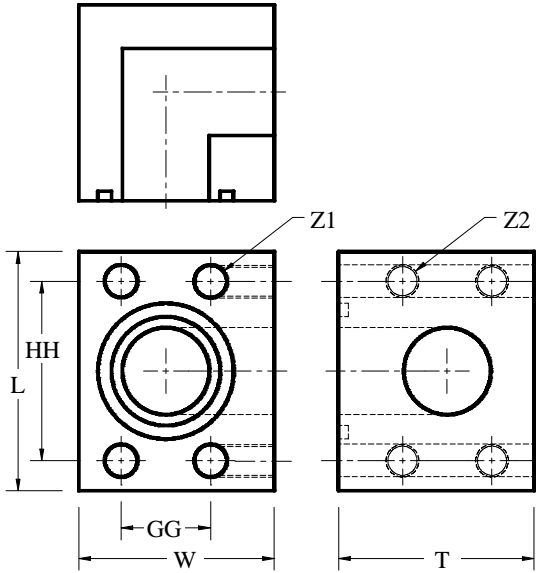
c/w Hex Head Mounting Kit



Socket Weld Tube (SWT) / Code 61 Companion Face Elbow

Code 61 Part No.	SWT Size	Flange Size	Z	GG	HH	W	L	T
1831-08-08	1/2" (0.505)	1/2"	5/16"-18	0.688	1.500	1.50	2.19	1.50
1831-12-12	3/4" (0.755)	3/4"	3/8"-16	0.875	1.875	1.75	2.63	1.75
1831-12-16	3/4" (0.755)	1.00"	3/8"-16	1.031	2.062	2.00	2.81	2.00
1831-16-16	1.00" (1.005)	1.00"	3/8"-16	1.031	2.062	2.00	2.81	2.00
1831-16-20	1.00" (1.005)	1.25"	7/16"-14	1.188	2.312	2.50	3.19	2.50
1831-20-20	1.25" (1.255)	1.25"	7/16"-14	1.188	2.312	2.50	3.19	2.50
1831-20-24	1.25" (1.255)	1.50"	1/2"-13	1.406	2.750	3.00	3.69	3.00
1831-24-24	1.50" (1.510)	1.50"	1/2"-13	1.406	2.750	3.00	3.69	3.00
1831-28-24	1.75" (1.760)	1.50"	1/2"-13	1.406	2.750	3.00	3.69	3.00
1831-24-32	1.50" (1.510)	2.00"	1/2"-13	1.688	3.062	3.50	4.00	3.50
1831-28-32	1.75" (1.760)	2.00"	1/2"-13	1.688	3.062	3.50	4.00	3.50
1831-32-32	2.00" (2.010)	2.00"	1/2"-13	1.688	3.062	3.50	4.00	3.50

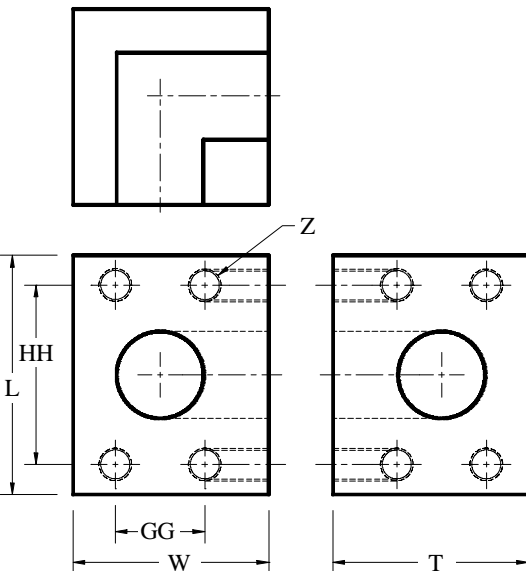
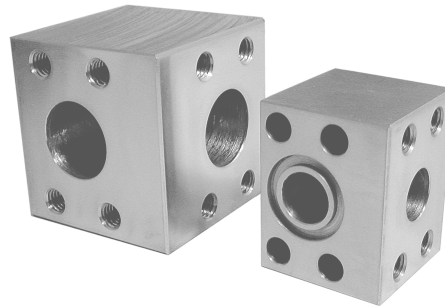
Code 61 / Code 61 Elbow



Code 61 Companion Face / O'Ring Face Elbow

Part No.	Code 61 Comp	Code 61 ORF	Z1	Z2	GG	HH	W	L	T
2573-08-08	1/2"	1/2"	11/32	5/16"-18	0.688	1.500	2.00	2.13	2.00
2573-12-12	3/4"	3/4"	13/32	3/8"-16	0.875	1.875	2.00	2.56	2.00
2573-16-16	1.00"	1.00"	13/32	3/8"-16	1.031	2.062	2.50	2.75	2.50
2573-20-20	1.25"	1.25"	15/32	7/16"-14	1.188	2.312	3.00	3.13	3.00
2573-24-24	1.50"	1.50"	17/32	1/2"-13	1.406	2.750	3.50	3.69	3.50
2573-32-32	2.00"	2.00"	17/32	1/2"-13	1.688	3.062	3.50	4.00	3.50

c/w Hex Head Mounting Kit



Code 61 Companion Face / Companion Face Elbow

Part No.	Code 61 Comp	Code 61 Comp	Z	GG	HH	W	L	T
2574-08-08	1/2"	1/2"	5/16"-18	0.688	1.500	2.00	2.13	2.00
2574-12-12	3/4"	3/4"	3/8"-16	0.875	1.875	2.00	2.56	2.00
2574-16-16	1.00"	1.00"	3/8"-16	1.031	2.062	2.50	2.75	2.50
2574-20-20	1.25"	1.25"	7/16"-14	1.188	2.312	3.00	3.13	3.00
2574-24-24	1.50"	1.50"	1/2"-13	1.406	2.750	3.00	3.69	3.00
2574-32-32	2.00"	2.00"	1/2"-13	1.688	3.062	3.50	4.00	3.50